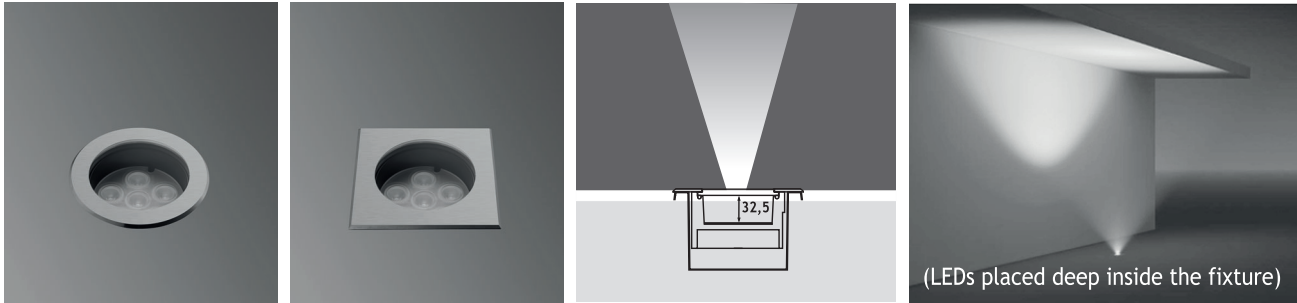


PATNOS 4 RECESSED UPLIGHT LOW GLARE LED FIXTURES

Class I IP67 IK10

Symmetrical

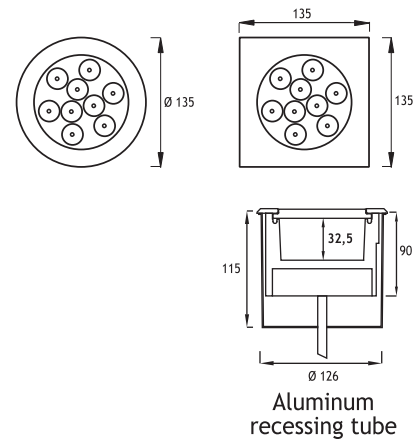
PATNOS 4 Fix to Recessing Tube with Silicone



6 x 350 mA (6 W) LED		Total Lighting Output	Code No	
			Round	Square
☀ Warm White	3000 K	510 lm	163101	163111
☁ Natural White	4500 K	510 lm	163102	163112
☀ Cool White	6000 K	612 lm	163103	163113

Single color LED options upon request are ;

● Blue ● Amber ● Green ● Red



Voltage : 240V A.C with integrated driver (24V AC or DC on request)

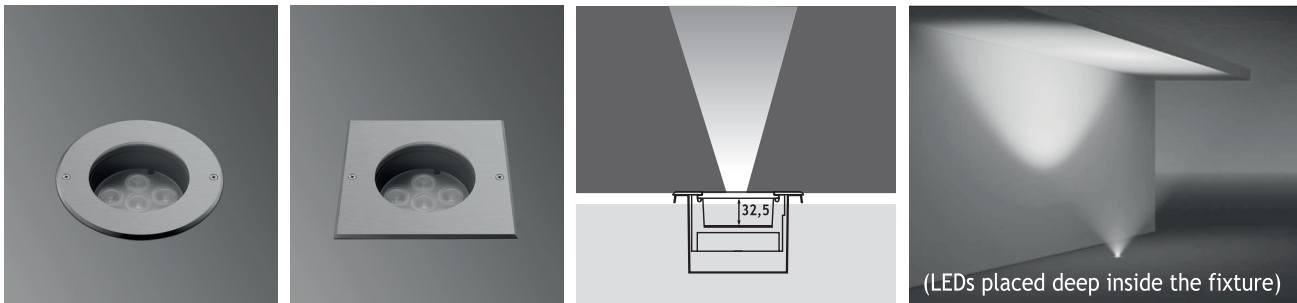
Lens : 10°, 25°, 40°

Diffuser : Clear Glass 8 mm (Frosted Glass on request)

Cable : Potted 5 m 3x0,75 H03 VV-F

Symmetrical

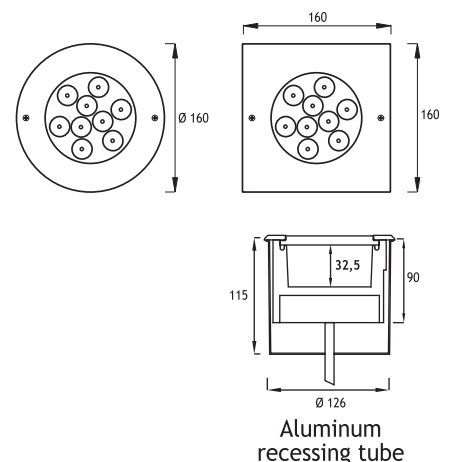
PATNOS 4 Fix to Recessing Tube with Screws



6 x 350 mA (6 W) LED		Total Lighting Output	Code No	
			Round	Square
☀ Warm White	3000 K	510 lm	163121	163131
☁ Natural White	4500 K	510 lm	163122	163132
☀ Cool White	6000 K	612 lm	163123	163133

Single color LED options upon request are ;

● Blue ● Amber ● Green ● Red



Voltage : 240V A.C with integrated driver (24V AC or DC on request)

Lens : 10°, 25°, 40°

Diffuser : Clear Glass 8 mm (Frosted Glass on request)

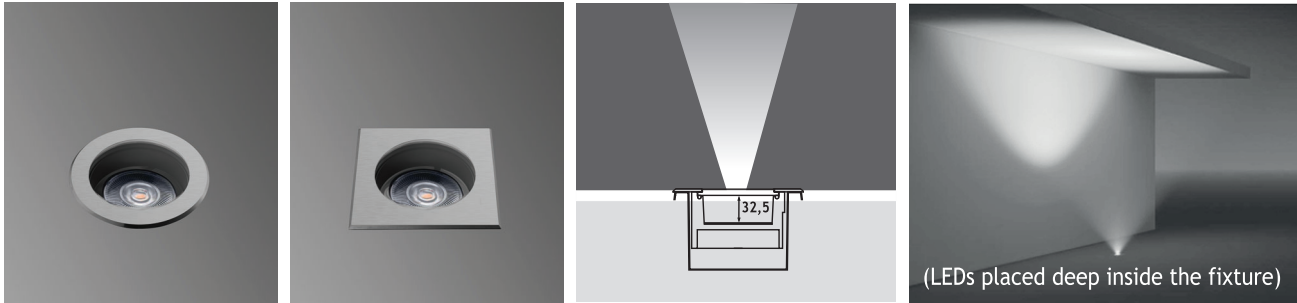
Cable : Potted 5 m 3x0,75 H03 VV-F



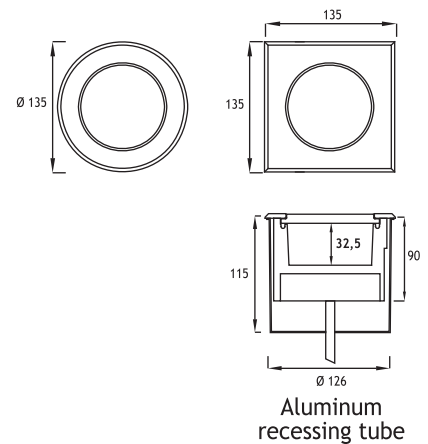
PATNOS 4 RECESSED UPLIGHT LOW GLARE LED FIXTURES

Class I IP67 IK10

Symmetrical PATNOS 4 Fix to Recessing Tube with Silicone

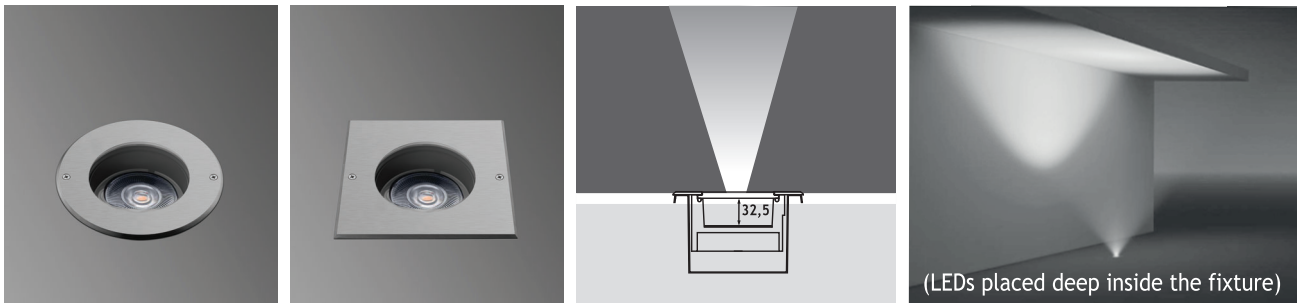


13W COB LED		Total Lighting Output	Code No	
			Round	Square
☀ Warm White	3000 K	1750 lm	163141	163151
☀ Natural White	4000 K	1900 lm	163142	163152

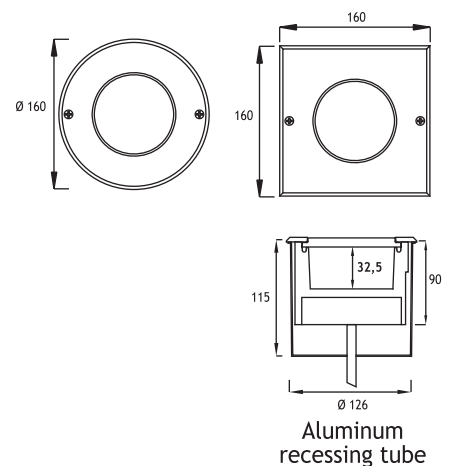


- Led** : 350 mA 13W (Nichia)
- Reflector** : 24° or 38°
- Gear** : 240V Non-Dimmable Driver
- Cable** : 0,5 m 2x0,75 mm H03 VV-F

Symmetrical PATNOS 4 Fix to Recessing Tube with Screws



13W COB LED		Total Lighting Output	Code No	
			Round	Square
☀ Warm White	3000 K	1750 lm	163161	163171
☀ Natural White	4000 K	1900 lm	163162	163172



- Led** : 350 mA 13W (Nichia)
- Reflector** : 24° or 38°
- Gear** : 240V Non-Dimmable Driver
- Cable** : 0,5 m 2x0,75 mm H03 VV-F