

PATNOS RECESSED FIXTURES

IP67 IK10

The Patnos series is an adaption of the Belkis Recessed series using less or no visible screws. No screws are visible on the cover if silicone is used to glue the fixture to the recessing tube. The series is designed to light walls, facades, columns, monuments, and trees. The fixtures are made of a combination of a 316L stainless steel cover and die cast aluminium body painted with electrostatic powder paint. Tempered glass, silicone gaskets and cast resin complete the fixture to make it IP67 IK10 and withstand rough environments. A specially developed potted power cable is used to effectively bond with the cast resin and stop any water ingress. The fixtures come with an aluminium recessing tube for easy mounting in the ground or concrete. The LEDs used come in 3 different tones of white, as well as blue, red, green, amber and RGB. Several lenses from 6 to 40 degrees are available to choose from to achieve the desired light effect.

Asymmetrical LEDs

In this catalogue EMFA is introducing the tilted LED fixtures. These fixtures give an asymmetrical light output to facades, columns, bridges, monuments, and trees without losing light to the sky. The die cast aluminium body has a fixed built in tilt to allow for proper heat dissipation of the LEDs that can run up to 700mA.

Cover

316L Stainless steel

Body

Die cast aluminium

Recessing Box

Aluminium

Gaskets

Silicone

Diffusers

Tempered Glass

Screws

316L Stainless steel

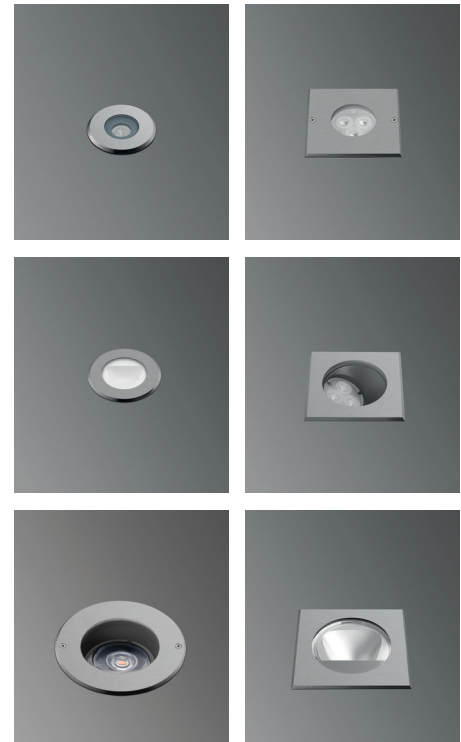
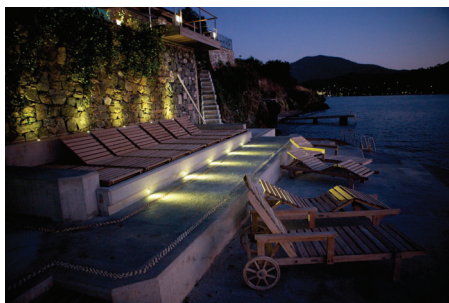
“Customization” is EMFA’s standard

EMFA offers many combinations for each fixture, as all fixtures are made in house. A combination of 2 finishes of stainless steel, 8 LED colors, 2 wattages, and 5 or more lenses and reflectors are available to make the fixture suitable for the required application. This is done without increasing lead-time and is available for large as well as small quantities.



Honeycomb Louvre

	Code No
Belkis 1	953521
Belkis 2	953522
Belkis 3	953523
Belkis 4	953524
Belkis 5	953525



LEDs

Only highest quality LEDs such as Cree or Toplite are used in production allowing for maximum lumen output and maximum lifetime. Most LEDs run on 350mA or 700mA depending on how much light output is required. The white color temperature binning is 200K at most, and always on the same x,y coordinates on the CIE diagram in accordance with Energy Star. This ensures consistent supply of the same color temperature over time. As LEDs are constantly developing and becoming more efficient, lumen output given in this catalogue are current as of March 2020. At 2700K, 3000K, and 4000K LED lumen output per led is 110lm; at 6000K the lumen output per led is 125lm. Total Lighting Output as printed in this catalogue is the actual light output of the entire fixture. The minimum CRI of the LEDs used is 85 with a majority of products over 90.

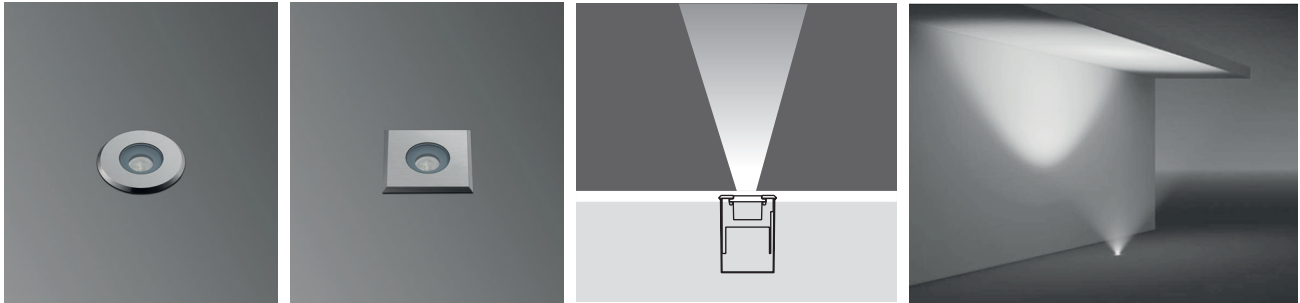
Thermal Management

All fixtures are designed to withstand ambient temperatures of at least 50°C. The LEDs are mounted on metal core pcbs, which are mounted the aluminium body of the fixture so that the entire fixture acts as a heat sink. Extensive testing is performed in EMFA’s laboratory to ensure these values are maintained so that the lifetime of the LED is not compromised.

PATNOS 1 RECESSED LED FIXTURES

Class I IP67 IK10

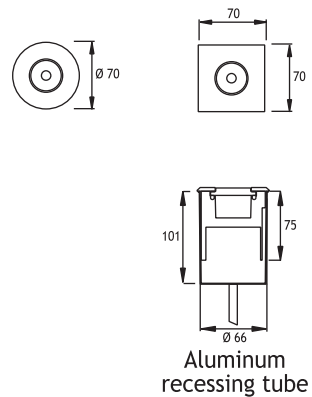
Symmetrical PATNOS 1 Fix to Recessing Tube with Silicone



	1 x 350 mA (1 W) LED 1 x 700 mA (3 W) LED	Color	Temp	Total Lighting Output		1W Round	1W Square	3W Round	3W Square
				1W	3W				
☀	Warm White	3000 K	85 lm	225 lm	160001	160011	160041	160051	
☁	Natural White	4500 K	85 lm	225 lm	160002	160012	160042	160052	
☀	Cool White	6000 K	102 lm	270 lm	160003	160013	160043	160053	

Single color LED options upon request are ;

🟦 Blue 🟡 Amber 🟢 Green 🔴 Red



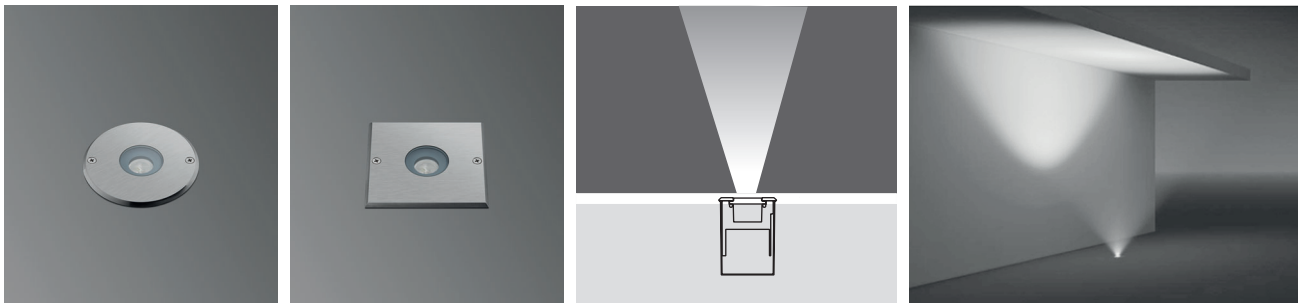
Voltage : 240V A.C with integrated driver (24V AC or DC on request)

Lens : 10°, 25°, 40°

Diffuser : Clear Glass 8 mm (Frosted Glass on request)

Cable : Potted 5 m 3x0,75 H03 VV-F

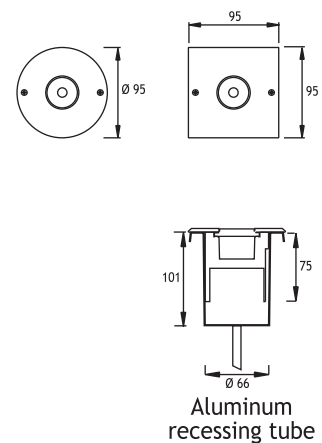
Symmetrical PATNOS 1 Fix to Recessing Tube with Screws



	1 x 350 mA (1 W) LED 1 x 700 mA (3 W) LED	Color	Temp	Total Lighting Output		1W Round	1W Square	3W Round	3W Square
				1W	3W				
☀	Warm White	3000 K	85 lm	225 lm	160021	160031	160061	160071	
☁	Natural White	4500 K	85 lm	225 lm	160022	160032	160062	160072	
☀	Cool White	6000 K	102 lm	270 lm	160023	160033	160063	160073	

Single color LED options upon request are ;

🟦 Blue 🟡 Amber 🟢 Green 🔴 Red



Voltage : 240V A.C with integrated driver (24V AC or DC on request)

Lens : 10°, 25°, 40°

Diffuser : Clear Glass 8 mm (Frosted Glass on request)

Cable : Potted 5 m 3x0,75 H03 VV-F