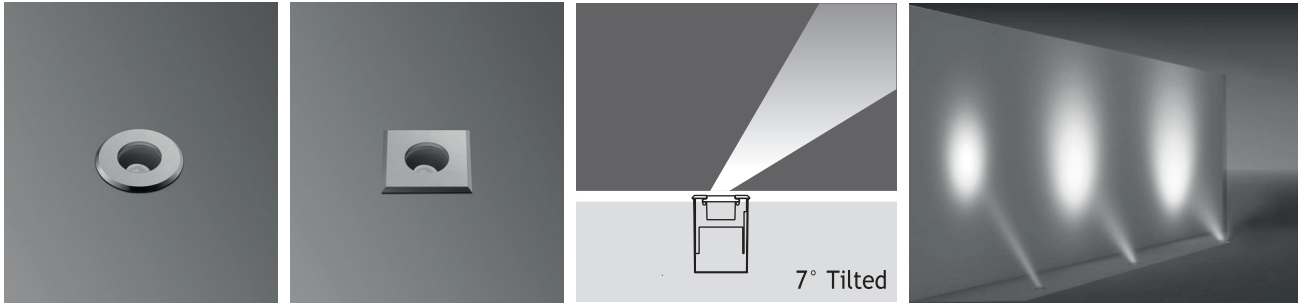


PATNOS 1 RECESSED LED FIXTURES

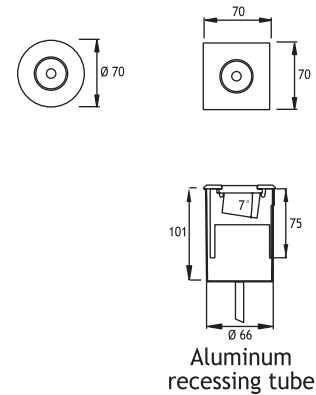
Class I IP67 IK10

Asymmetrical 7° Tilted PATNOS 1 Fix to Recessing Tube with Silicone



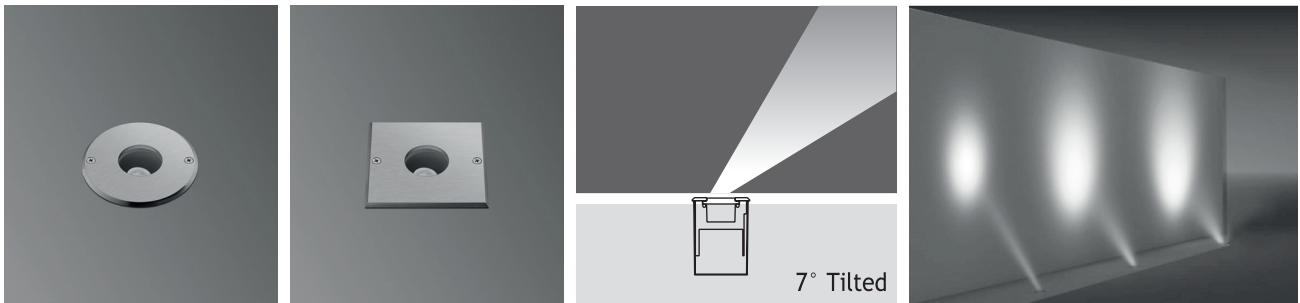
	1 x 350 mA (1 W) LED 1 x 700 mA (3 W) LED	Color	Temp	Total Lighting Output		1W Round	1W Square	3W Round	3W Square
				1W	3W				
☀	Warm White	3000 K	85 lm	225 lm	160201	160211	160241	160251	
☁	Natural White	4500 K	85 lm	225 lm	160202	160212	160242	160252	
☀	Cool White	6000 K	102 lm	270 lm	160203	160213	160243	160253	

Single color LED options upon request are ;
 ● Blue ● Amber ● Green ● Red



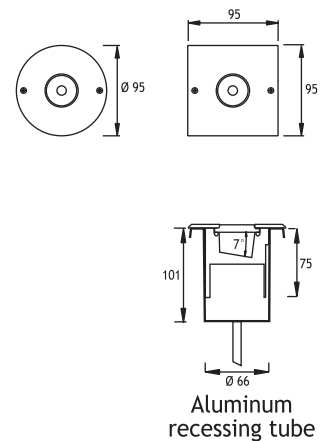
Voltage : 240V A.C with integrated driver (24V AC or DC on request)
Lens : 10°, 25°, 40°
Diffuser : Clear Glass 8 mm (Frosted Glass on request)
Cable : Potted 5 m 3x0,75 H03 VV-F

Asymmetrical 7° Tilted PATNOS 1 Fix to Recessing Tube with Screws



	1 x 350 mA (1 W) LED 1 x 700 mA (3 W) LED	Color	Temp	Total Lighting Output		1W Round	1W Square	3W Round	3W Square
				1W	3W				
☀	Warm White	3000 K	85 lm	225 lm	160221	160231	160261	160271	
☁	Natural White	4500 K	85 lm	225 lm	160222	160232	160262	160272	
☀	Cool White	6000 K	102 lm	270 lm	160223	160233	160263	160273	

Single color LED options upon request are ;
 ● Blue ● Amber ● Green ● Red



Voltage : 240V A.C with integrated driver (24V AC or DC on request)
Lens : 10°, 25°, 40°
Diffuser : Clear Glass 8 mm (Frosted Glass on request)
Cable : Potted 5 m 3x0,75 H03 VV-F