

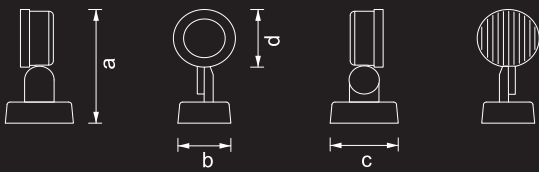
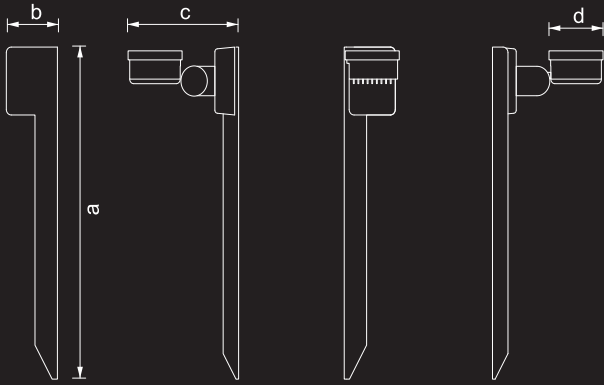
**EMFA**  
crafting light

**belkis spot 2**



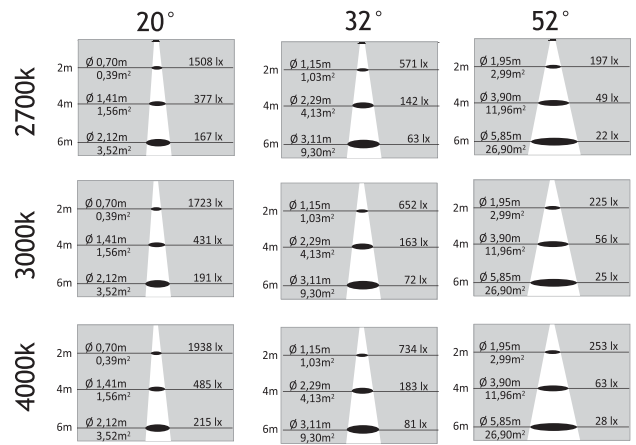


The Belkis 2 Spot is specially designed to deliver high output light effect to facades, bridges, monuments, signs, and trees. The series is made of die cast aluminium and painted with electro-static powder paint.



code	lamp	lumen	β	a	b	c	d	LED colours
331261	LED 350mA - 9W	588	20°, 32°, 52°	164	70	90	82	2700K
331262	LED 350mA - 9W	672	20°, 32°, 52°	164	70	90	82	3000K
331263	LED 350mA - 9W	765	20°, 32°, 52°	164	70	90	82	4000K

<b>Protection Rate</b>	IP 67	<b>Aiming</b>	Adjustable; 180°
<b>Impact Resistance</b>	IK 10	<b>Reflector</b>	Horizontal, 100° Vertical
<b>Class</b>	I		20, 32, or 52°
<b>Place of Use</b>	Exterior / Interior	<b>Luminous Efficacy</b>	Aluminium- Coated PC
<b>Application</b>	Facades, Signs, Bridges, Monuments, and Trees		Reflector
<b>Lamp Options</b>	Multichip CREE LED	<b>CRI</b>	65 lm/W - 2700K
	350mA - 9W	<b>Total Power</b>	75lm/W - 3000K
<b>Mounting</b>	Wall, Ground, Picket, Pole	<b>LED Lifetime</b>	84lm/W - 4000K
<b>Body</b>	Die Cast Aluminium	<b>Gear</b>	>85
<b>Base</b>	Die Cast Aluminium	<b>Cable</b>	9W
<b>Paint</b>	Electrostatic Powder Paint	<b>Ambient Temp</b>	L70 = 50,000 hours
<b>Screws</b>	316L Stainless Steel	<b>Weight</b>	Electronic LED Driver
<b>Diffuser</b>	8mm Tempered Glass	<b>Packing Dimensions</b>	240VAC (24VDC on request)
<b>Gaskets</b>	Silicone		5m potted 3x0.75mm <sup>2</sup>
<b>Picket</b>	Powder Painted Steel		H05VV-F
<b>Visor</b>	Electrostatic Powder Painted Aluminium		Ta < 50°C



The multichip CREE LED comes in three different tones of white and with three reflectors to achieve the desired the light effect.

2700, 3000, 4000K White  
20, 32, or 52°  
Aluminium-Coated PC Reflector



black  
textured  
ral 9005



black  
matte  
ral 9005



anthracite  
textured  
ral 7016



light grey  
textured  
ral 7004



white  
textured  
ral 9016



white  
matte  
ral 9016



ivory  
matte  
ral 1015



green  
glossy  
ral 6003



An optional visor is available to control the light.

A steel wire is secured between the head and the base for extra security when mounting the spots in high places.

6 standard RAL colors can be chosen from to adapt the spots to their environment (grey, anthracite, black, white, green and beige).

**code**

953531



IP 67

IK 10



An optional picket is available to mount in the ground.

The gearboxes are either filled with cast resin and have a pre-potted cable for IP67, or have a stainless steel cover and cable glands for IP55.

**code**

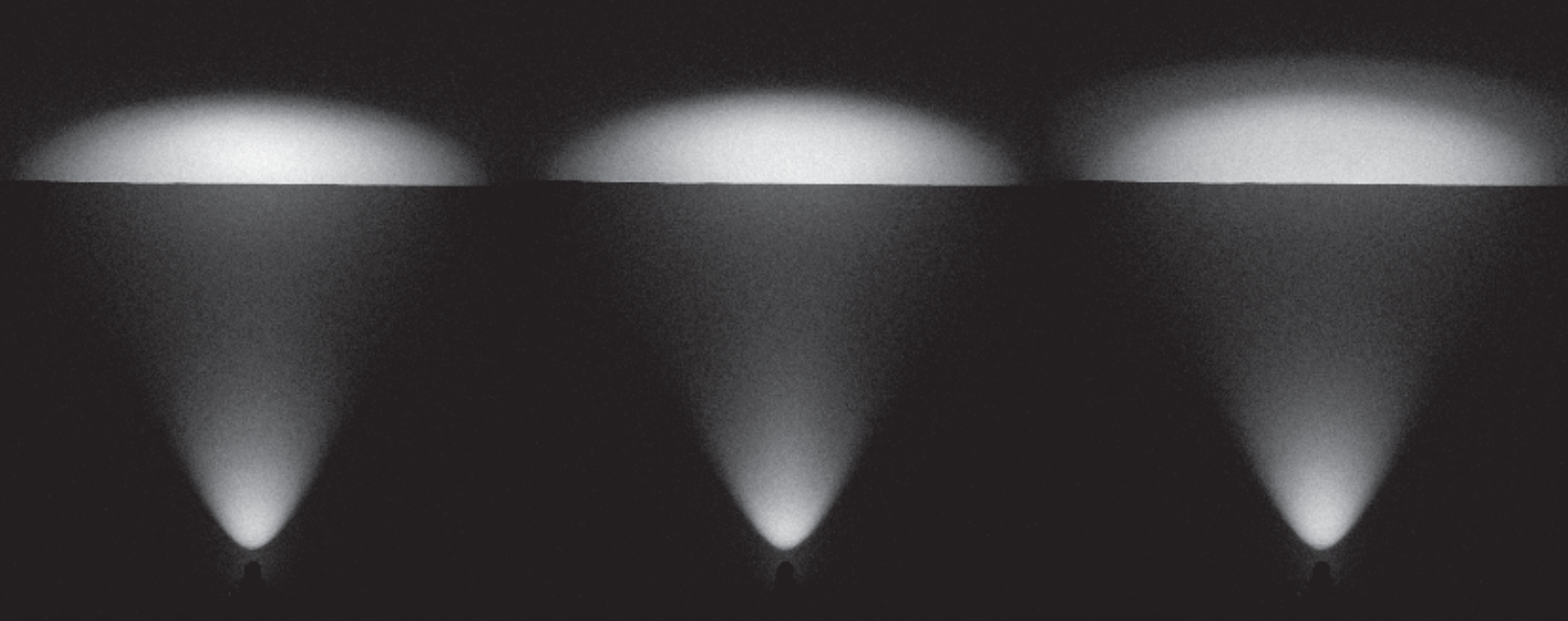
953825

**code**

331281 - 2700K

331282 - 3000K

331283 - 4000K



20°

32°

52°



## global network

### central region

---

#### germany

LAMP 83 Deutschland GmbH  
Am Weihergraben 10  
74363 Güglingen  
tel: +49(0)7135 93 06 192  
fax: +49(0)7135 93 06 199  
kontakt@lamp83.de

#### france

INEDIT Lighting  
Le Studio, 25, rue de Cléry  
75002 Paris  
tel: +33(0)1 47 00 76 76  
fax: +33(0)1 47 00 87 73  
contact@inedit-lighting.com

#### united kingdom

RIDI Lighting Ltd  
Units 8 & 9 ,The Marshgate  
Centre, Parkway, Harlow  
Essex, CM19 5QP  
tel: +44(0)1279 450882  
fax: +44(0)1279 451169  
info@emfa.co.uk

#### turkey

EMFA -  
Elektrik Malzeme Fabrikasi A.S.  
Davutpasa Caddesi,  
Cebealibey Sokak No. 18  
34020 Topkapi / Istanbul  
tel: +902124822962  
fax: +902124822781  
emfa@emfa.com.tr

#### lebanon

Simon Electric Center  
Mar Mikael Armenia Street  
tel: +961 1 560222 333  
fax: +961 1 581644  
simonel@cyberia.net.lb

#### saudi arabia

SmartHome Trading  
P O Box 43262  
11561 Riyadh  
tel: +966 11 201 2005  
fax: +966 11 201 2414  
care@smarthomeco.com

#### ireland

Lidacel Ltd  
Unit 18 Willow Business Park,  
Nangor Road, Dublin 12  
tel: +353 1 4605 342  
fax: +353 1 4605344  
sales@lidacel.com

#### belgium

EURO-LUCE  
Heirbaan 38, B-1570  
Galmaarden, Belgium  
tel: +32 54 55 71 10  
fax: +32 54 55 71 15  
info@euro-luce.be  
www.euro-luce.eu

#### russia

International Lighting Solutions  
Zvonarskij Pereulok House 1/1  
Moscow  
tel: +7 903 7926341  
fax: +7 903 7926341  
9706028@mail.ru

#### qatar

Beyond Lighting Co.  
Airport Road, Doha  
tel: +974 44664434  
fax: +974 44673882  
info@beyondlighting.net

#### mauritius

EME Engineering Ltd  
95 Victoria Avenue,  
Quatre Bornes  
tel: +2304679001  
fax: +2304679002  
nizamm@ememauritius.com



# global network

## eastern region

---

### **russia**

International Lighting Solutions  
Zvonarskij Pereulok House 1/1,  
Moscow  
tel: +7 903 7926341  
fax: +7 903 7926341  
9706028@mail.ru

### **hong kong**

SPL Lighting Company Ltd  
1401 Harbour Centre, 25  
Harbour Road, Wanchai  
tel: +852 3529 1623  
fax: +852 3529 1222  
info@splighting.com.hk

### **new zealand**

Decor Bellini Lighting Ltd  
96 New North Road,  
Eden Terrace, Auckland  
tel: +64 9 3361504  
fax: +64 9 3361581  
info@decorbellini.co.nz

### **south korea**

bara corporation  
410 GoldTower B/D,  
Manyeondong,  
Seogu, Daejeon  
tel: +82 42 482 4337  
fax: +82 42 482 4336  
bara\_co@naver.com

### **macau**

GEOTECH Lighting & System Co.  
Ltd.  
Av. da Praia Grande No. 763,  
Edf. Lun Pong 14-Andar-D, S.A.R  
tel: +853 2835 6562  
fax: +853 2835 6563  
info@geotechmacau.com

## global network

### western region

---

#### canada

NOVUS DESIGN Inc.  
385 St-Hubert, Laval,  
H7G 2Y8, Quebec  
tel: +1 888 668 8787  
fax: +1 888 668 5454  
ary@novuslighting.com

#### united states

NOVUS DESIGN Inc.  
385 St-Hubert, Laval,  
H7G 2Y8, Quebec  
tel: +1 888 668 8787  
fax: +1 888 668 5454  
ary@novuslighting.com

#### caribbean islands

Electec  
29 Wellington Road,  
Cole Bay, St Maarten  
tel: +1 721 544 2051  
fax: +1 71 544 3641  
sales@electec.info

#### colombia

LED-LS COLOMBIA  
Carrera 14 #93-40, Of. 503  
Bogotá  
tel: COL +(57)(1) 636-0566  
USA +1(305) 3573252  
info@led-ls.com

#### peru

LED-LS PERU  
Av. Reducto 1310, Of. 303  
Lima, Perú  
tel: PERU +(51)(1) 242-2630  
USA +1(305) 3573252  
info@led-ls.com

#### chile

LED-LS CHILE  
La Concepción 141, Oficina 605  
Providencia, Santiago de Chile  
tel: CHIL +(56)(2) 2369706  
USA +1(305) 3573252  
info@led-ls.com

 crafting light for over 50 years

## headquarters

EMFA  
Elektrik Malzeme Fabrikasi A.S.

Davutpasa Caddesi  
Cebealibey Sokak No. 18  
34020 Topkapi / Istanbul  
Turkey

tel: +90 212 4822962  
fax: +90 212 4822781

[emfa@emfa.com.tr](mailto:emfa@emfa.com.tr)

**EMFA**  
crafting light 