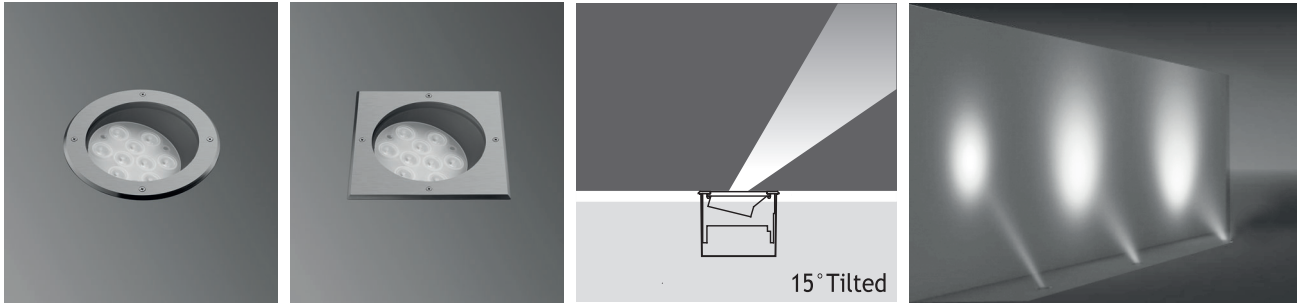


BELKIS 5 RECESSED LED FIXTURES

Class I IP67 IK10

Asymmetrical 15° Tilted BELKIS 5 Fix to Recessing Tube with Silicone



			Total Lighting Output		9W Round	9W Square	27W Round	27W Square
			9W	27W				
☀ Warm White	3000 K	765 lm	2100 lm	423361	423371	423601	423611	
☀ Natural White	4500 K	765 lm	2100 lm	423362	423372	423602	423612	
☀ Cool White	6000 K	918 lm	2520 lm	423363	423373	423603	423613	
🌈 RGB						423401	423411	

Single color LED options upon request are ;

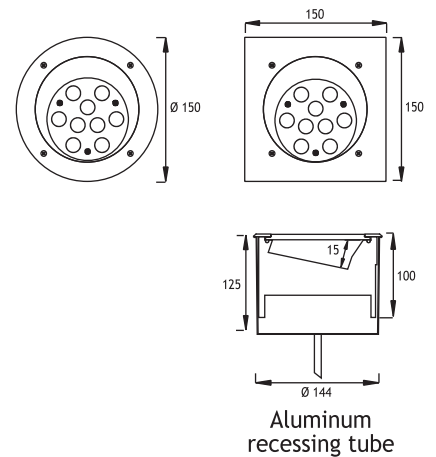
🟦 Blue 🟡 Amber 🟢 Green 🔴 Red

Voltage : 240V A.C with integrated driver (24V AC or DC on request)

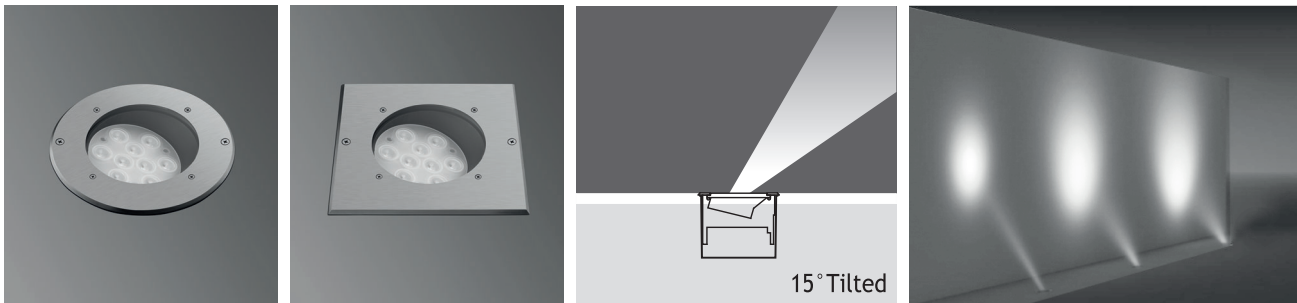
Lens : 10°, 25°, 40°

Diffuser : Clear Glass 8 mm (Frosted Glass on request)

Cable : Potted 5 m 3x0,75 H03 VV-F



Asymmetrical 15° Tilted BELKIS 5 Fix to Recessing Tube with Screws



			Total Lighting Output		9W Round	9W Square	27W Round	27W Square
			9W	27W				
☀ Warm White	3000 K	765 lm	2100 lm	423381	423391	423621	423631	
☀ Natural White	4500 K	765 lm	2100 lm	423382	423392	423622	423632	
☀ Cool White	6000 K	918 lm	2520 lm	423383	423393	423623	423633	
🌈 RGB						423421	423431	

Single color LED options upon request are ;

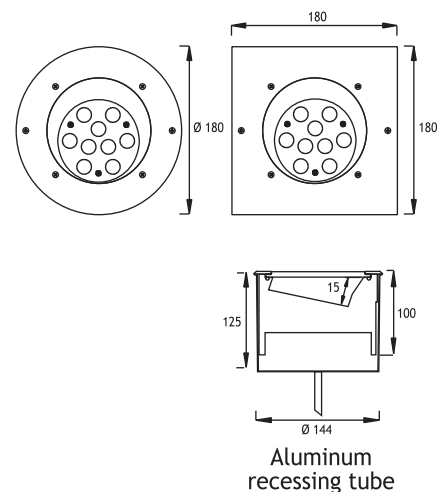
🟦 Blue 🟡 Amber 🟢 Green 🔴 Red

Voltage : 240V A.C with integrated driver (24V AC or DC on request)

Lens : 10°, 25°, 40°

Diffuser : Clear Glass 8 mm (Frosted Glass on request)

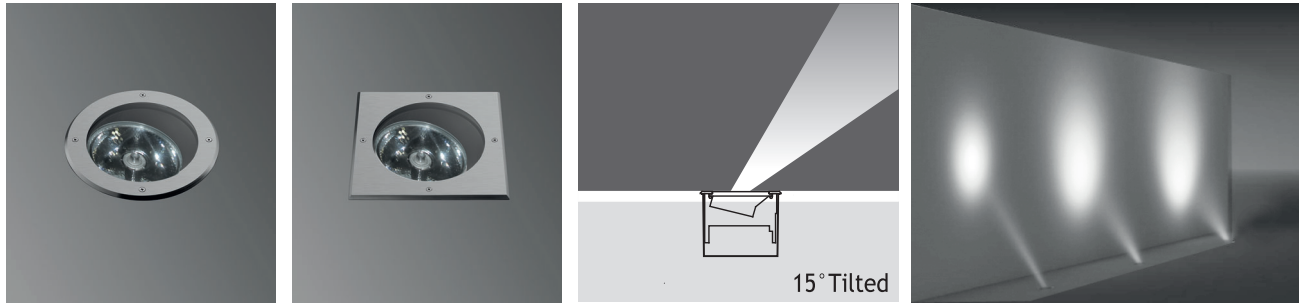
Cable : Potted 5 m 3x0,75 H03 VV-F



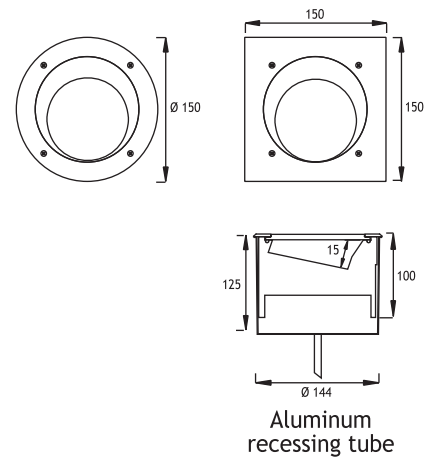
BELKIS 5 RECESSED LED WITH TIR LENS FIXTURES

Class I IP67 IK10

Asymmetrical 15° Tilted BELKIS 5 Fix to Recessing Tube with Silicone

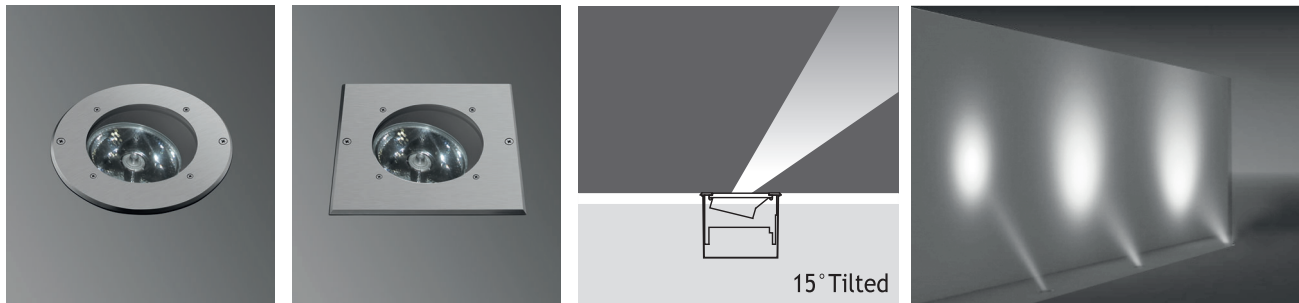


		Total Lighting Output		25W Round	25W Square	32W Round	32W Square
		25W	32W				
1 x 700 mA (25 W) COB LED							
1 x 900 mA (32 W) COB LED							
☀ Warm White	3000 K	1645 lm	2134 lm	120401	120411	120421	120431
☀ Natural White	4000 K	1974 lm	2561 lm	120402	120412	120422	120432

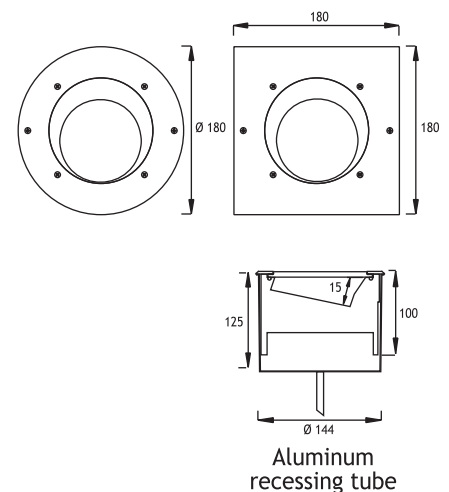


- Voltage** : 240V A.C with integrated driver (24V AC or DC on request)
- Lens** : 10°, 20°, 30° Mirror TIR Lens
- Diffuser** : Clear Glass 8 mm (Frosted Glass on request)
- Cable** : Potted 5 m 3x0,75 H03 VV-F

Asymmetrical 15° Tilted BELKIS 5 Fix to Recessing Tube with Screws



		Total Lighting Output		25W Round	25W Square	32W Round	32W Square
		25W	32W				
1 x 700 mA (25 W) COB LED							
1 x 900 mA (32 W) COB LED							
☀ Warm White	3000 K	1645 lm	2134 lm	120501	120511	120521	120531
☀ Natural White	4000 K	1974 lm	2561 lm	120502	120512	120522	120532

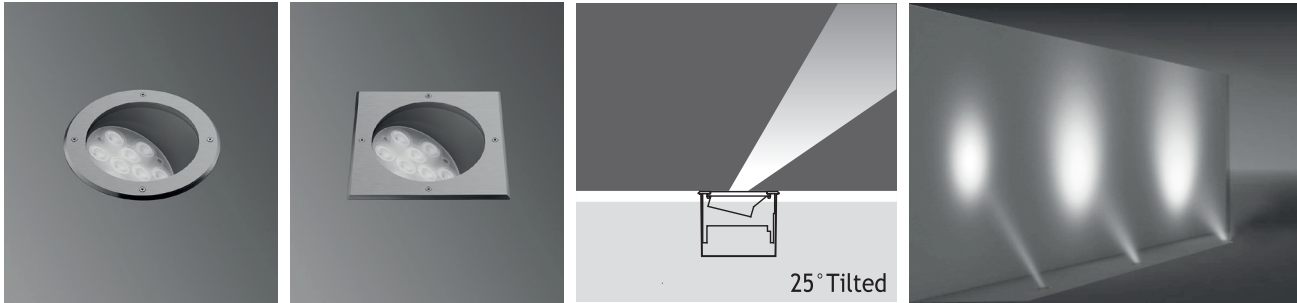


- Voltage** : 240V A.C with integrated driver (24V AC or DC on request)
- Lens** : 10°, 20°, 30° Mirror TIR Lens
- Diffuser** : Clear Glass 8 mm (Frosted Glass on request)
- Cable** : Potted 5 m 3x0,75 H03 VV-F

BELKIS 5 RECESSED LED FIXTURES

Class I IP67 IK10

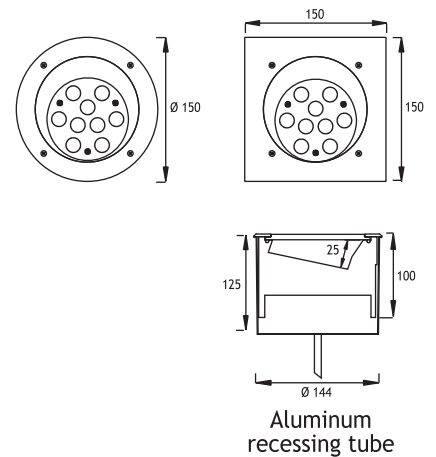
Asymmetrical 25° Tilted BELKIS 5 Fix to Recessing Tube with Silicone



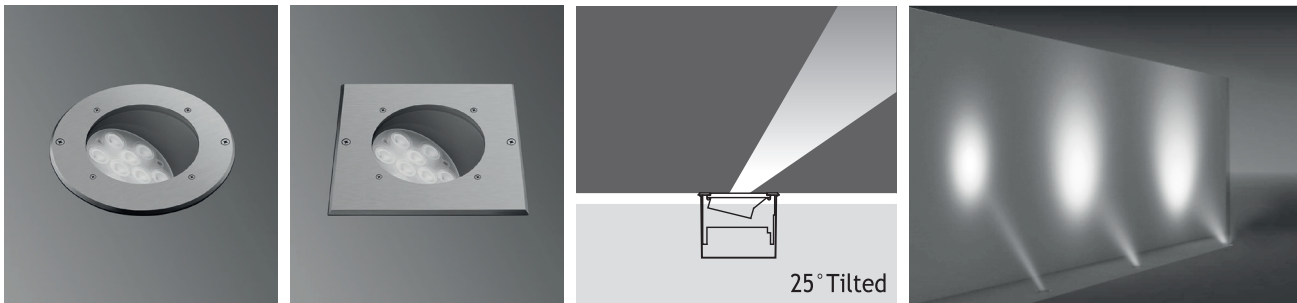
			Total Lighting Output		9W Round	9W Square	27W Round	27W Square
			9W	27W				
☀ Warm White	3000 K	765 lm	2100 lm	423441	423451	423641	423651	
☁ Natural White	4500 K	765 lm	2100 lm	423442	423452	423642	423652	
☀ Cool White	6000 K	918 lm	2520 lm	423443	423453	423643	423653	
🌈 RGB						423481	423491	

Single color LED options upon request are ;
 🟦 Blue 🟡 Amber 🟢 Green 🔴 Red

- Voltage** : 240V A.C with integrated driver (24V AC or DC on request)
- Lens** : 10°, 25°, 40°
- Diffuser** : Clear Glass 8 mm (Frosted Glass on request)
- Cable** : Potted 5 m 3x0,75 H03 VV-F



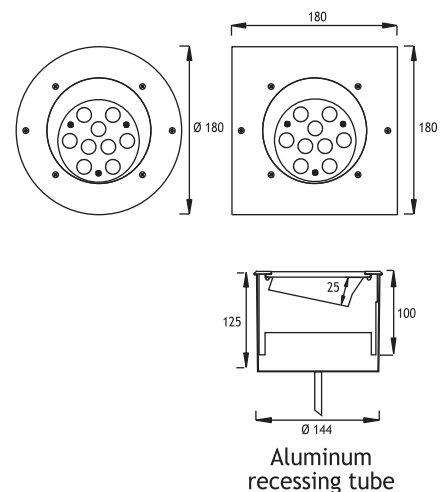
Asymmetrical 25° Tilted BELKIS 5 Fix to Recessing Tube with Screws



			Total Lighting Output		9W Round	9W Square	27W Round	27W Square
			9W	27W				
☀ Warm White	3000 K	765 lm	2100 lm	423461	423471	423661	423671	
☁ Natural White	4500 K	765 lm	2100 lm	423462	423472	423662	423672	
☀ Cool White	6000 K	918 lm	2520 lm	423463	423473	423663	423673	
🌈 RGB						423501	423511	

Single color LED options upon request are ;
 🟦 Blue 🟡 Amber 🟢 Green 🔴 Red

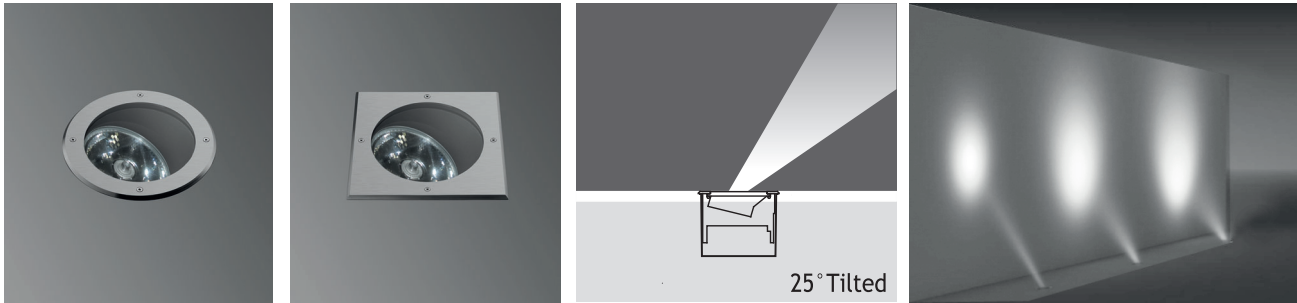
- Voltage** : 240V A.C with integrated driver (24V AC or DC on request)
- Lens** : 10°, 25°, 40°
- Diffuser** : Clear Glass 8 mm (Frosted Glass on request)
- Cable** : Potted 5 m 3x0,75 H03 VV-F



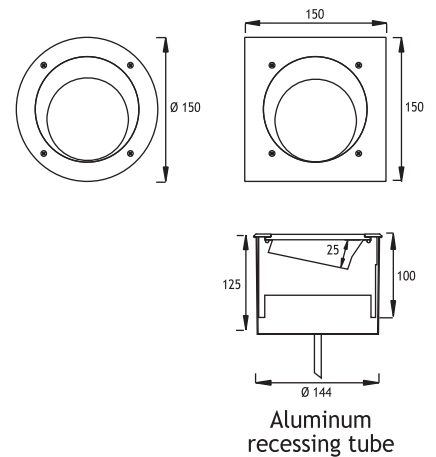
BELKIS 5 RECESSED LED WITH TIR LENS FIXTURES

Class I IP67 IK10

Asymmetrical 25° Tilted BELKIS 5 Fix to Recessing Tube with Silicone

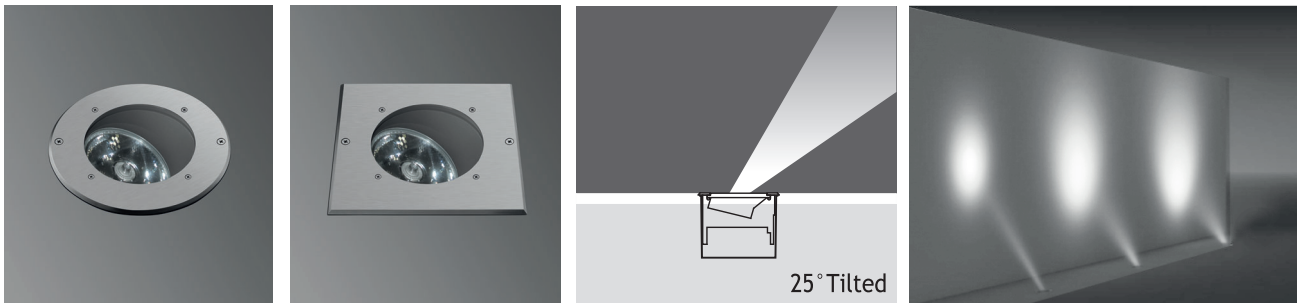


		Total Lighting Output		25W Round	25W Square	32W Round	32W Square
		25W	32W				
1 x 700 mA (25 W) COB LED							
1 x 900 mA (32 W) COB LED							
☀ Warm White	3000 K	1645 lm	2134 lm	120601	120611	120621	120631
☀ Natural White	4000 K	1974 lm	2561 lm	120602	120612	120622	120632

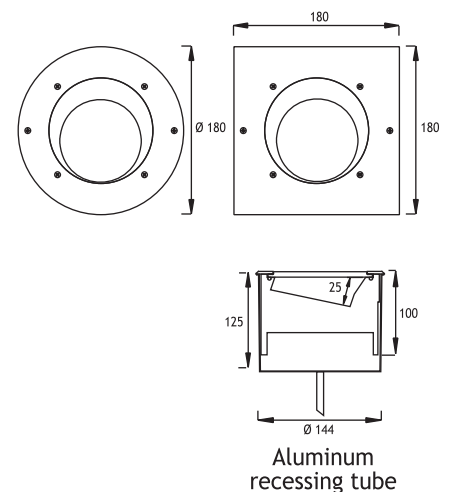


- Voltage** : 240V A.C with integrated driver
(24V AC or DC on request)
- Lens** : 10°, 20°, 30° Mirror TIR Lens
- Diffuser** : Clear Glass 8 mm (Frosted Glass on request)
- Cable** : Potted 5 m 3x0,75 H03 VV-F

Asymmetrical 25° Tilted BELKIS 5 Fix to Recessing Tube with Screws



		Total Lighting Output		25W Round	25W Square	32W Round	32W Square
		25W	32W				
1 x 700 mA (25 W) COB LED							
1 x 900 mA (32 W) COB LED							
☀ Warm White	3000 K	1645 lm	2134 lm	120701	120711	120721	120731
☀ Natural White	4000 K	1974 lm	2561 lm	120702	120712	120722	120732



- Voltage** : 240V A.C with integrated driver
(24V AC or DC on request)
- Lens** : 10°, 20°, 30° Mirror TIR Lens
- Diffuser** : Clear Glass 8 mm (Frosted Glass on request)
- Cable** : Potted 5 m 3x0,75 H03 VV-F