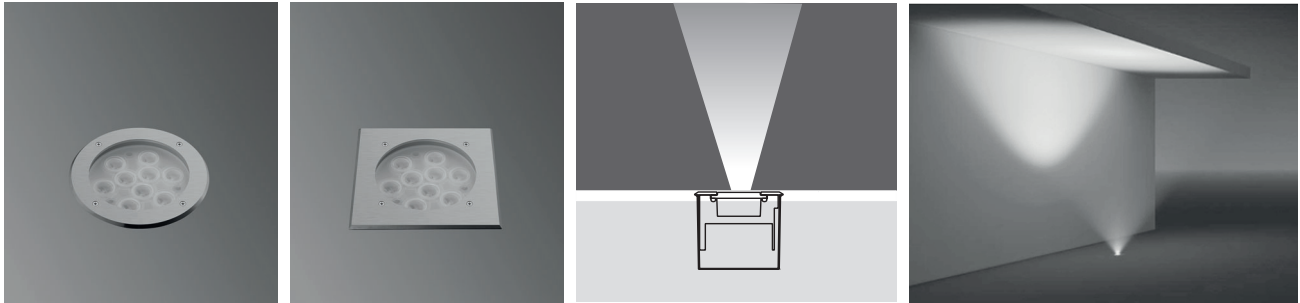


BELKIS 4 RECESSED LED FIXTURES

Class I IP67 IK10

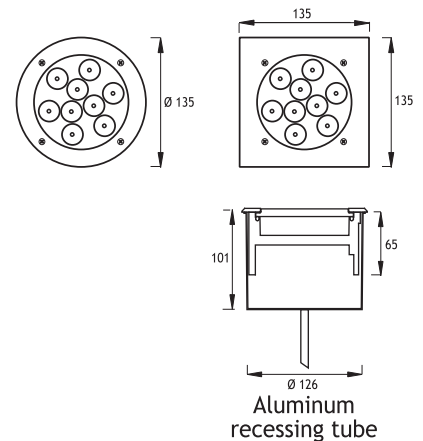
Symmetrical BELKIS 4 Fix to Recessing Tube with Silicone



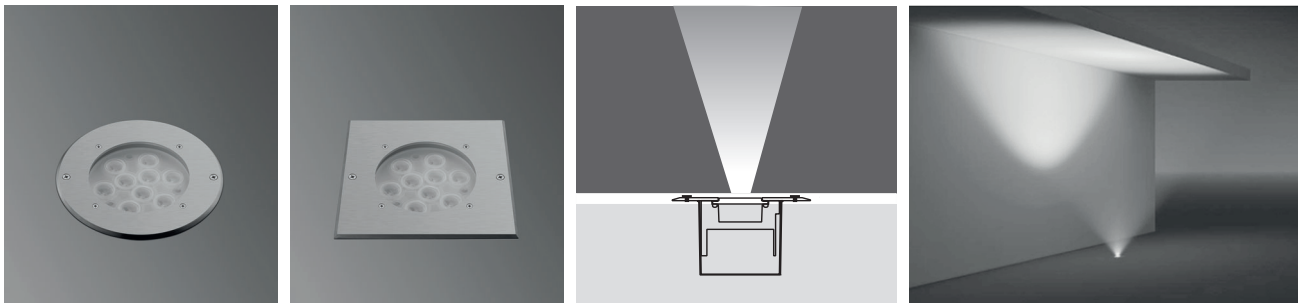
9 x 350 mA (9 W) LED		Total Lighting Output	Code No	
			Round	Square
☀ Warm White	3000 K	765 lm	422301	422311
☁ Natural White	4500 K	765 lm	422306	422316
☀ Cool White	6000 K	918 lm	422307	422317

Single color LED options upon request are ;
 ● Blue ● Amber ● Green ● Red

Voltage : 240V A.C with integrated driver (24V AC or DC on request)
Lens : 10°, 25°, 40°
Diffuser : Clear Glass 8 mm (Frosted Glass on request)
Cable : Potted 5 m 3x0,75 H03 VV-F



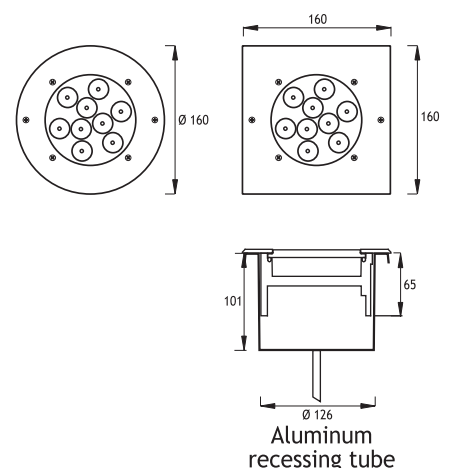
Symmetrical BELKIS 4 Fix to Recessing Tube with Screws



9 x 350 mA (9 W) LED		Total Lighting Output	Code No	
			Round	Square
☀ Warm White	3000 K	765 lm	422321	422331
☁ Natural White	4500 K	765 lm	422326	422336
☀ Cool White	6000 K	918 lm	422327	422337

Single color LED options upon request are ;
 ● Blue ● Amber ● Green ● Red

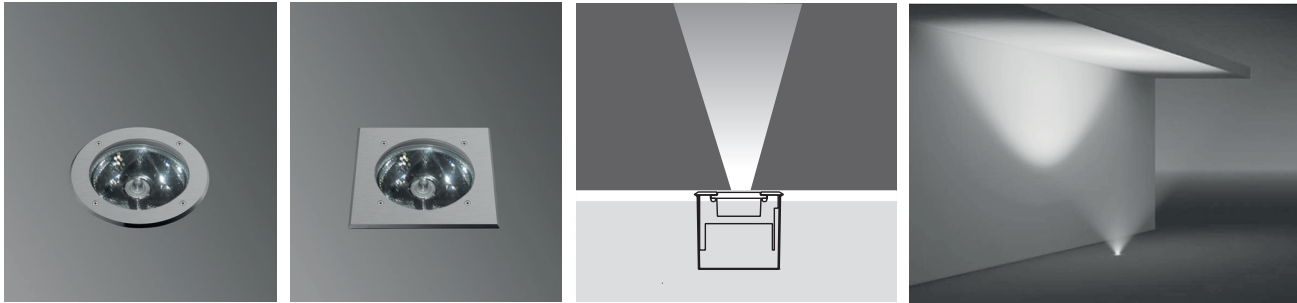
Voltage : 240V A.C with integrated driver (24V AC or DC on request)
Lens : 10°, 25°, 40°
Diffuser : Clear Glass 8 mm (Frosted Glass on request)
Cable : Potted 5 m 3x0,75 H03 VV-F



BELKIS 4 RECESSED LED WITH TIR LENS FIXTURES

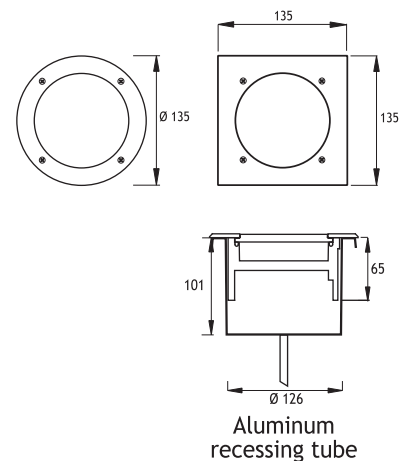
Class I IP67 IK10

Symmetrical BELKIS 4 Fix to Recessing Tube with Silicone

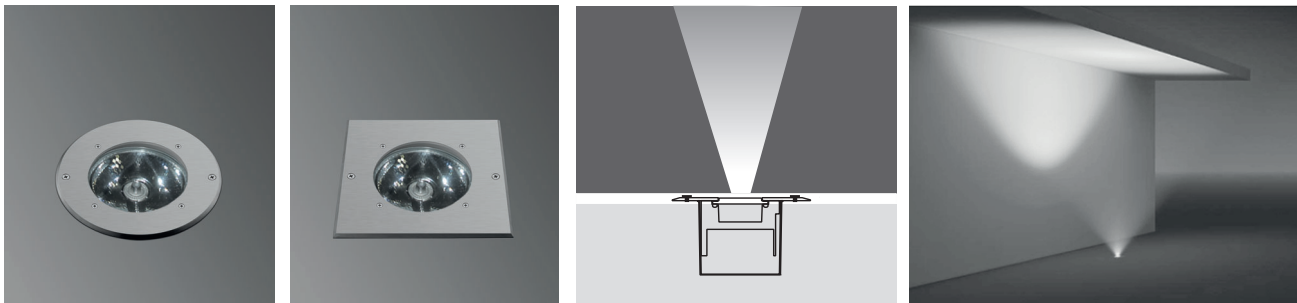


		Total Lighting Output		13W Round	13W Square	25W Round	25W Square
		18W	25W				
☀	Warm White 3000 K	1170 lm	1620 lm	120201	120211	120221	120231
☀	Natural White 4000 K	1404 lm	1945 lm	120202	120212	120222	120232

- Voltage** : 240V A.C with integrated driver
(24V AC or DC on request)
- Lens** : 10°, 20°, 30° Mirror TIR Lens
- Diffuser** : Clear Glass 8 mm (Frosted Glass on request)
- Cable** : Potted 5 m 3x0,75 H03 VV-F



Symmetrical BELKIS 4 Fix to Recessing Tube with Screws



		Total Lighting Output		13W Round	13W Square	25W Round	25W Square
		18W	25W				
☀	Warm White 3000 K	1170 lm	1620 lm	120301	120311	120321	120331
☀	Natural White 4000 K	1404 lm	1945 lm	120302	120312	120322	120332

- Voltage** : 240V A.C with integrated driver
(24V AC or DC on request)
- Lens** : 10°, 20°, 30° Mirror TIR Lens
- Diffuser** : Clear Glass 8 mm (Frosted Glass on request)
- Cable** : Potted 5 m 3x0,75 H03 VV-F

