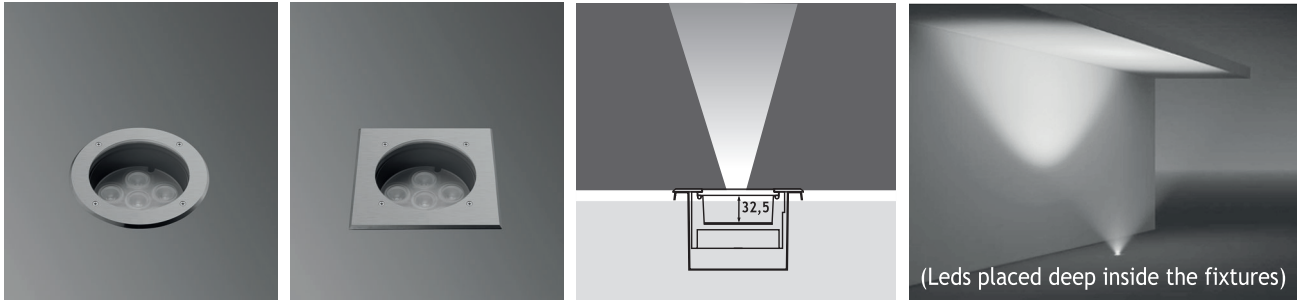


# BELKIS 4 RECESSED UPLIGHT LOW GLARE LED FIXTURES

## Class I IP67 IK10

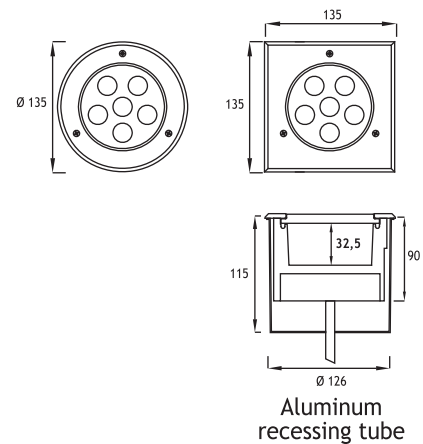
### Symmetrical BELKIS 4 Fix to Recessing Tube with Silicone



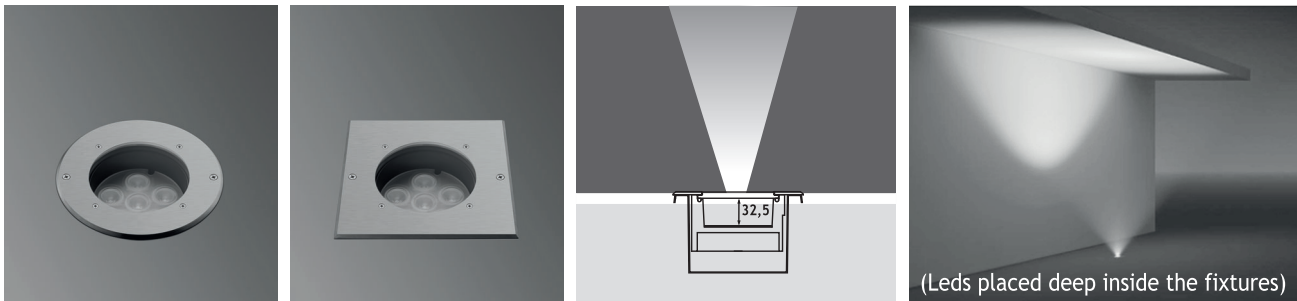
6 x 350 mA (6 W) LED		Total Lighting Output	Code No	
			Round	Square
☀ Warm White	3000 K	510 lm	326201	326211
☁ Natural White	4500 K	510 lm	326202	326212
☀ Cool White	6000 K	612 lm	326203	326213

Single color LED options upon request are ;  
 ● Blue ● Amber ● Green ● Red

**Voltage** : 240V A.C with integrated driver (24V AC or DC on request)  
**Lens** : 10°, 25°, 40°  
**Diffuser** : Clear Glass 8 mm (Frosted Glass on request)  
**Cable** : Potted 5 m 3x0,75 H03 VV-F



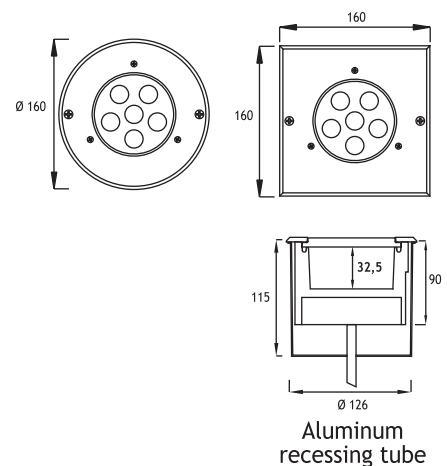
### Symmetrical BELKIS 4 Fix to Recessing Tube with Screws



6 x 350 mA (6 W) LED		Total Lighting Output	Code No	
			Round	Square
☀ Warm White	3000 K	510 lm	326221	326231
☁ Natural White	4500 K	510 lm	326222	326232
☀ Cool White	6000 K	612 lm	326223	326233

Single color LED options upon request are ;  
 ● Blue ● Amber ● Green ● Red

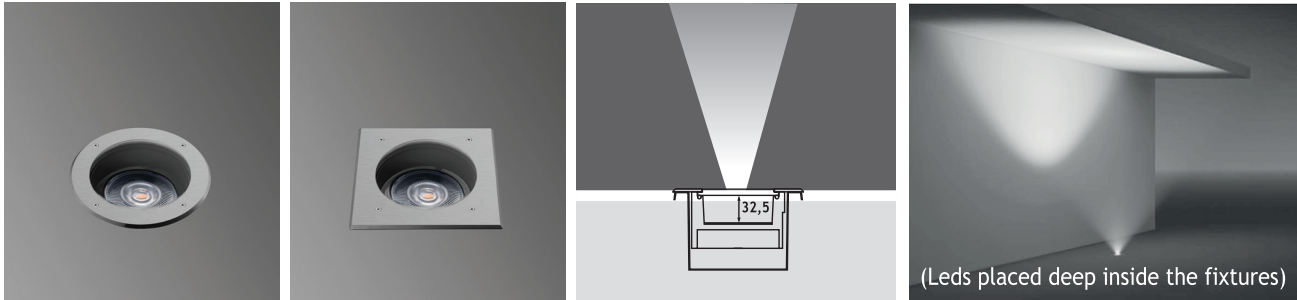
**Voltage** : 240V A.C with integrated driver (24V AC or DC on request)  
**Lens** : 10°, 25°, 40°  
**Diffuser** : Clear Glass 8 mm (Frosted Glass on request)  
**Cable** : Potted 5 m 3x0,75 H03 VV-F



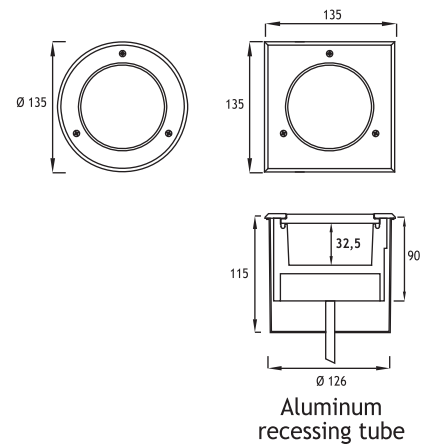
# BELKIS 4 RECESSED UPLIGHT LOW GLARE LED FIXTURES

## Class I IP67 IK10

### Symmetrical BELKIS 4 Fix to Recessing Tube with Silicone

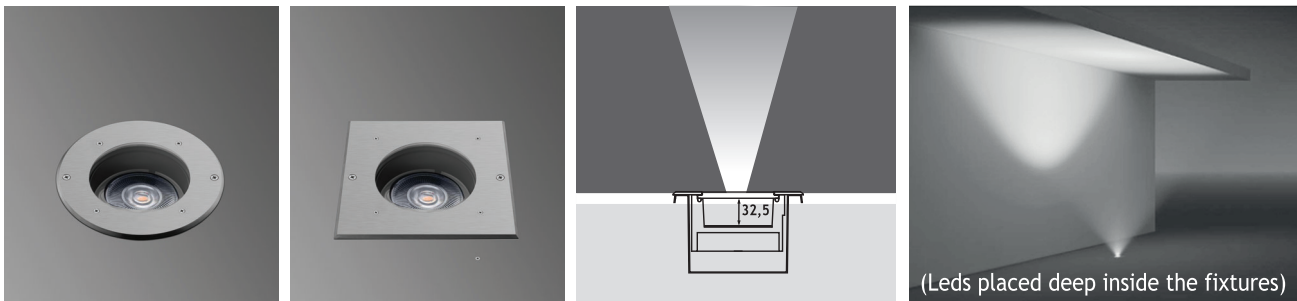


13W COB LED		Total Lighting Output	Code No	
			Round	Square
☀ Warm White	3000 K	1750 lm	326301	326311
☁ Natural White	4000 K	1900 lm	326302	326312

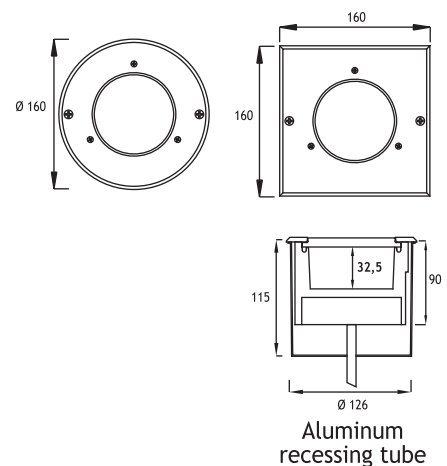


- Led : 350 mA 13W (Nichia)
- Reflector : 24° or 38°
- Gear : 240V Non-Dimmable Driver
- Cable : 0,5 m 2x0,75 mm H03 VV-F

### Symmetrical BELKIS 4 Fix to Recessing Tube with Screws



13W COB LED		Total Lighting Output	Code No	
			Round	Square
☀ Warm White	3000 K	1750 lm	326321	326331
☁ Natural White	4000 K	1900 lm	326322	326332



- Led : 350 mA 13W (Nichia)
- Reflector : 24° or 38°
- Gear : 240V Non-Dimmable Driver
- Cable : 0,5 m 2x0,75 mm H03 VV-F