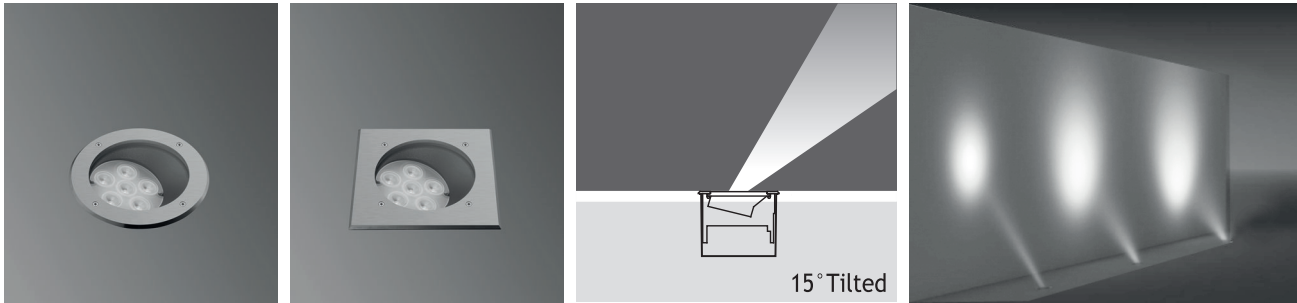


BELKIS 3 RECESSED LED FIXTURES

Class I IP67 IK10

Asymmetrical 15° Tilted BELKIS 3 Fix to Recessing Tube with Silicone



6 x 350 mA (6 W) LED		Total Lighting Output	Code No	
			Round	Square
Warm White	3000 K	510 lm	423101	423111
Natural White	4500 K	510 lm	423102	423112
Cool White	6000 K	612 lm	423103	423113
RGB			423141	423151

Single color LED options upon request are ;
 Blue Amber Green Red

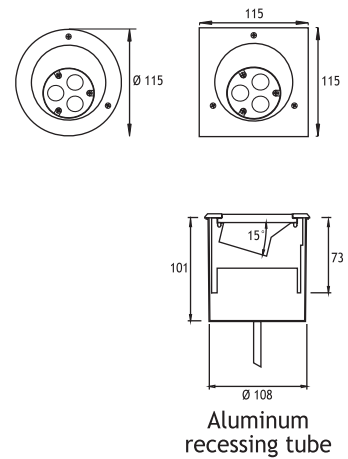
Voltage : 240V A.C with integrated driver (24V AC or DC on request)

Lens : 10°, 25°, 40°

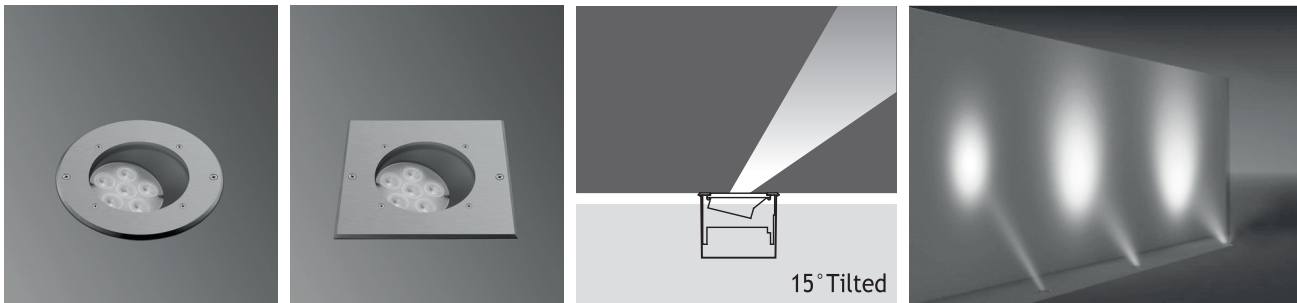
Diffuser : Clear Glass 8 mm (Frosted Glass on request)

Cable : Potted 5 m 3x0,75 H03 VV-F

Available with springs for false ceiling.



Asymmetrical 15° Tilted BELKIS 3 Fix to Recessing Tube with Screws



6 x 350 mA (6 W) LED		Total Lighting Output	Code No	
			Round	Square
Warm White	3000 K	510 lm	423121	423131
Natural White	4500 K	510 lm	423122	423132
Cool White	6000 K	612 lm	423123	423133
RGB			423161	423171

Single color LED options upon request are ;
 Blue Amber Green Red

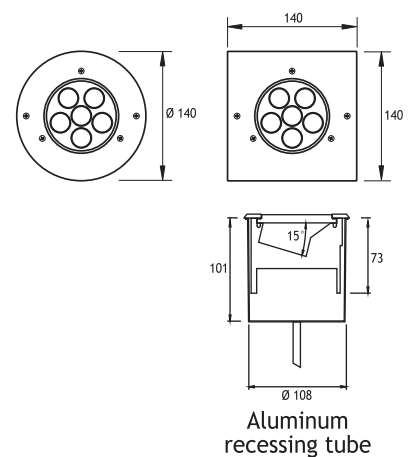
Voltage : 240V A.C with integrated driver (24V AC or DC on request)

Lens : 10°, 25°, 40°

Diffuser : Clear Glass 8 mm (Frosted Glass on request)

Cable : Potted 5 m 3x0,75 H03 VV-F

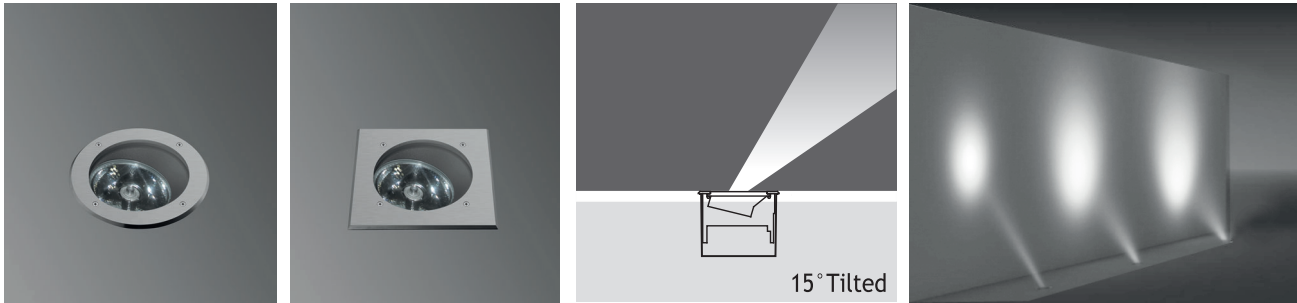
Available with springs for false ceiling.



BELKIS 3 RECESSED LED WITH TIR LENS FIXTURES

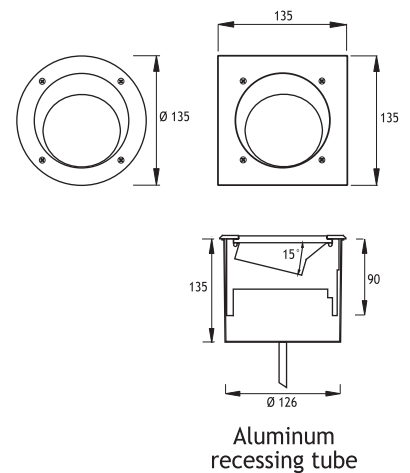
Class I IP67 IK10

Asymmetrical 15° Tilted BELKIS 3 Fix to Recessing Tube with Silicone

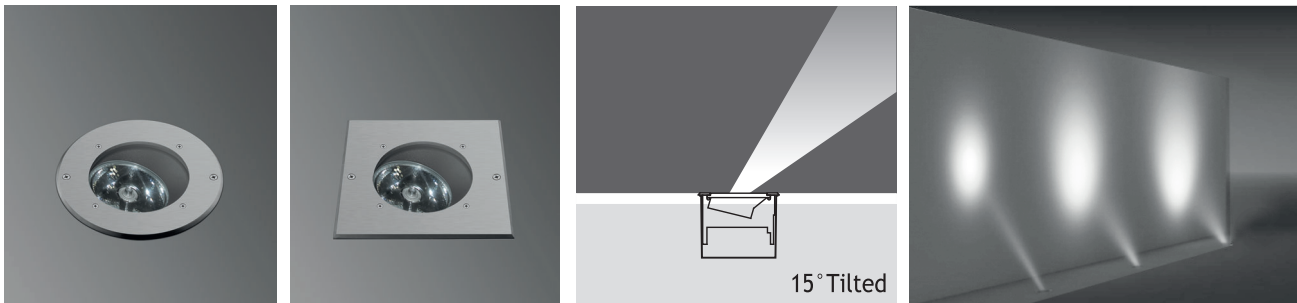


		Total Lighting Output		18W Round	18W Square	25W Round	25W Square
		18W	25W				
☀ Warm White	3000 K	1170 lm	1620 lm	119801	119811	119821	119831
☀ Natural White	4000 K	1404 lm	1945 lm	119802	119812	119822	119832

- Voltage** : 240V A.C with integrated driver
(24V AC or DC on request)
- Lens** : 10°, 20°, 30° Mirror TIR Lens
- Diffuser** : Clear Glass 8 mm (Frosted Glass on request)
- Cable** : Potted 5 m 3x0,75 H03 VV-F

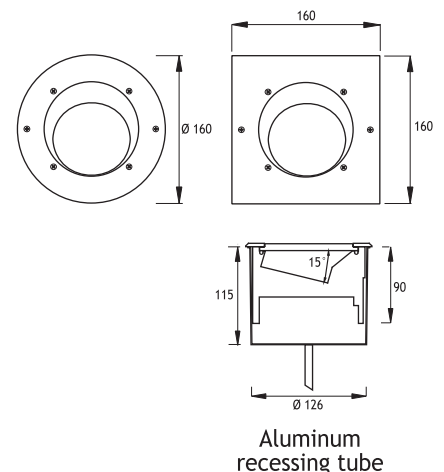


Asymmetrical 15° Tilted BELKIS 3 Fix to Recessing Tube with Screws



		Total Lighting Output		18W Round	18W Square	25W Round	25W Square
		18W	25W				
☀ Warm White	3000 K	1170 lm	1620 lm	119901	119911	119921	119931
☀ Natural White	4000 K	1404 lm	1945 lm	119902	119912	119922	119932

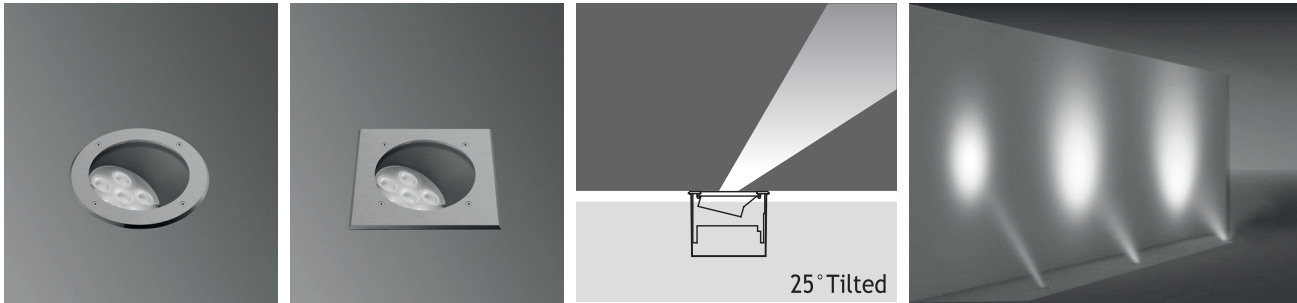
- Voltage** : 240V A.C with integrated driver
(24V AC or DC on request)
- Lens** : 10°, 20°, 30° Mirror TIR Lens
- Diffuser** : Clear Glass 8 mm (Frosted Glass on request)
- Cable** : Potted 5 m 3x0,75 H03 VV-F



BELKIS 3 RECESSED LED FIXTURES

Class I IP67 IK10

Asymmetrical 25° Tilted BELKIS 3 Fix to Recessing Tube with Silicone



6 x 350 mA (6 W) LED		Total Lighting Output	Code No	
			Round	Square
☀ Warm White	3000 K	510 lm	423181	423191
☀ Natural White	4500 K	510 lm	423182	423192
☀ Cool White	6000 K	612 lm	423183	423193
🌈 RGB			423221	423231

Single color LED options upon request are ;
● Blue ● Amber ● Green ● Red

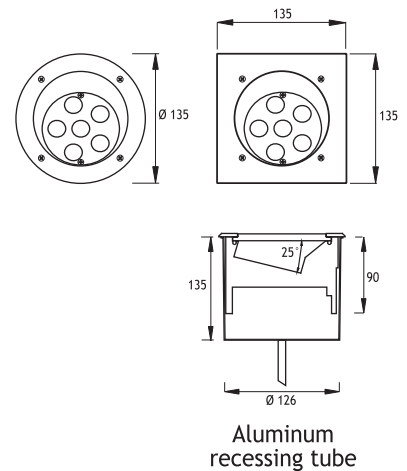
Voltage : 240V A.C with integrated driver (24V AC or DC on request)

Lens : 10°, 25°, 40°

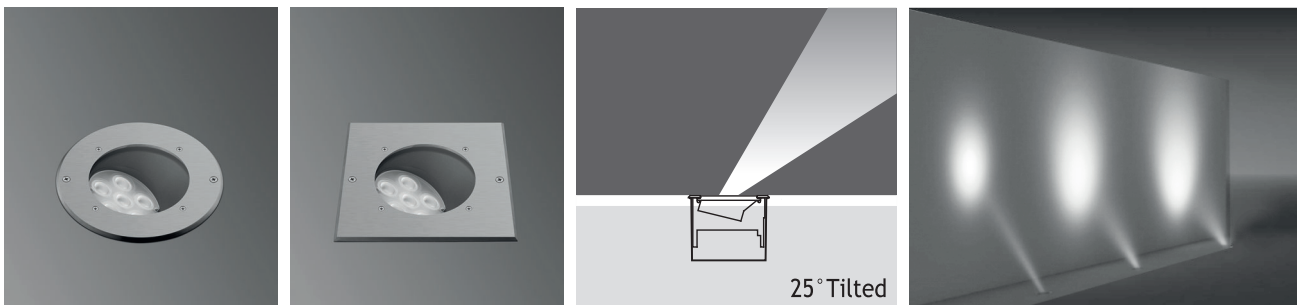
Diffuser : Clear Glass 8 mm (Frosted Glass on request)

Cable : Potted 5 m 3x0,75 H03 VV-F

Available with springs for false ceiling.



Asymmetrical 25° Tilted BELKIS 3 Fix to Recessing Tube with Screws



6 x 350 mA (6 W) LED		Total Lighting Output	Code No	
			Round	Square
☀ Warm White	3000 K	510 lm	423201	423211
☀ Natural White	4500 K	510 lm	423202	423212
☀ Cool White	6000 K	612 lm	423203	423213
🌈 RGB			423241	423251

Single color LED options upon request are ;
● Blue ● Amber ● Green ● Red

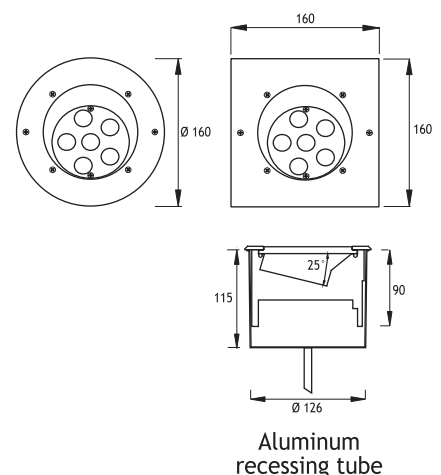
Voltage : 240V A.C with integrated driver (24V AC or DC on request)

Lens : 10°, 25°, 40°

Diffuser : Clear Glass 8 mm (Frosted Glass on request)

Cable : Potted 5 m 3x0,75 H03 VV-F

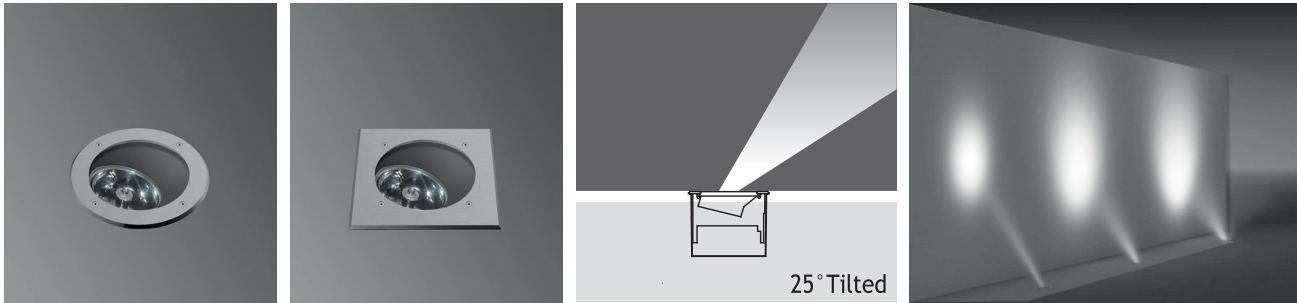
Available with springs for false ceiling.



BELKIS 3 RECESSED LED WITH TIR LENS FIXTURES

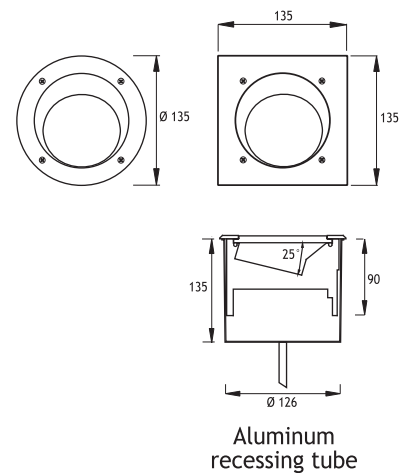
Class I IP67 IK10

Asymmetrical 25° Tilted BELKIS 3 Fix to Recessing Tube with Silicone

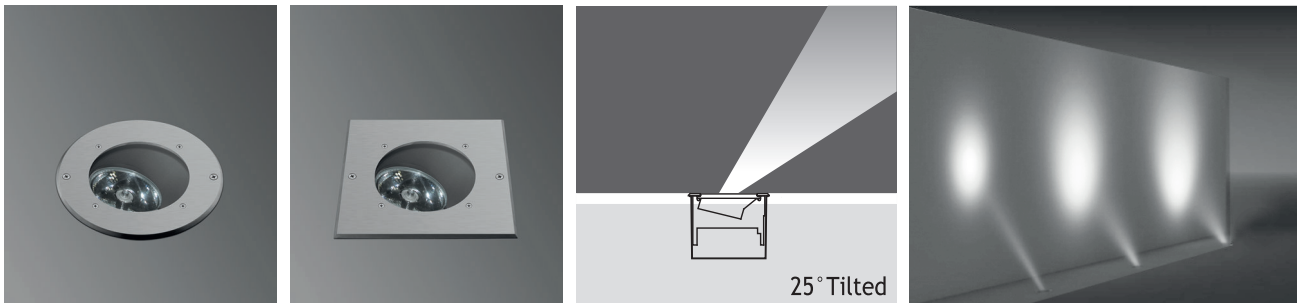


		Total Lighting Output		18W Round	18W Square	25W Round	25W Square
		18W	25W				
1 x 500 mA (18 W) COB LED							
1 x 700 mA (25 W) COB LED							
☀ Warm White	3000 K	1170 lm	1620 lm	120001	120011	120021	120031
☀ Natural White	4000 K	1404 lm	1945 lm	120002	120012	120022	120032

- Voltage** : 240V A.C with integrated driver (24V AC or DC on request)
- Lens** : 10°, 20°, 30° Mirror TIR Lens
- Diffuser** : Clear Glass 8 mm (Frosted Glass on request)
- Cable** : Potted 5 m 3x0,75 H03 VV-F



Asymmetrical 25° Tilted BELKIS 3 Fix to Recessing Tube with Screws



		Total Lighting Output		18W Round	18W Square	25W Round	25W Square
		18W	25W				
1 x 500 mA (18 W) COB LED							
1 x 700 mA (25 W) COB LED							
☀ Warm White	3000 K	1170 lm	1620 lm	120101	120111	120121	120131
☀ Natural White	4000 K	1404 lm	1945 lm	120102	120112	120122	120132

- Voltage** : 240V A.C with integrated driver (24V AC or DC on request)
- Lens** : 10°, 20°, 30° Mirror TIR Lens
- Diffuser** : Clear Glass 8 mm (Frosted Glass on request)
- Cable** : Potted 5 m 3x0,75 H03 VV-F

