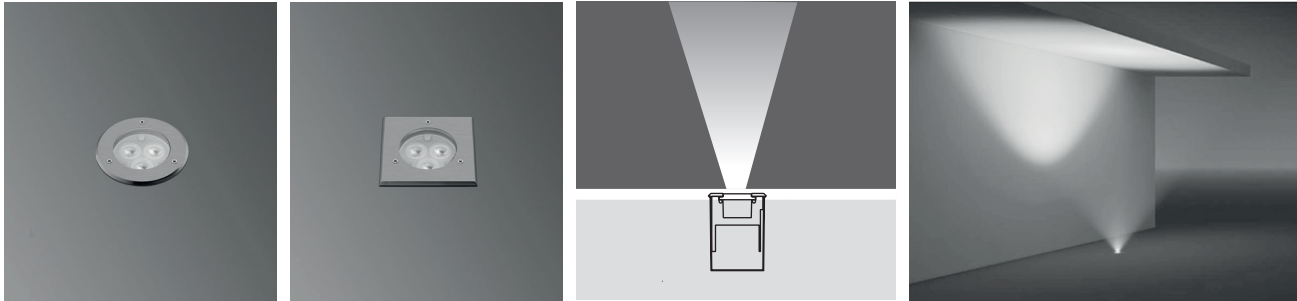


# BELKIS 2 RECESSED LED FIXTURES

## Class I IP67 IK10

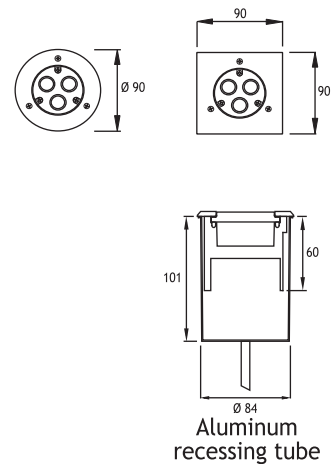
### Symmetrical BELKIS 2 Fix to Recessing Tube with Silicone



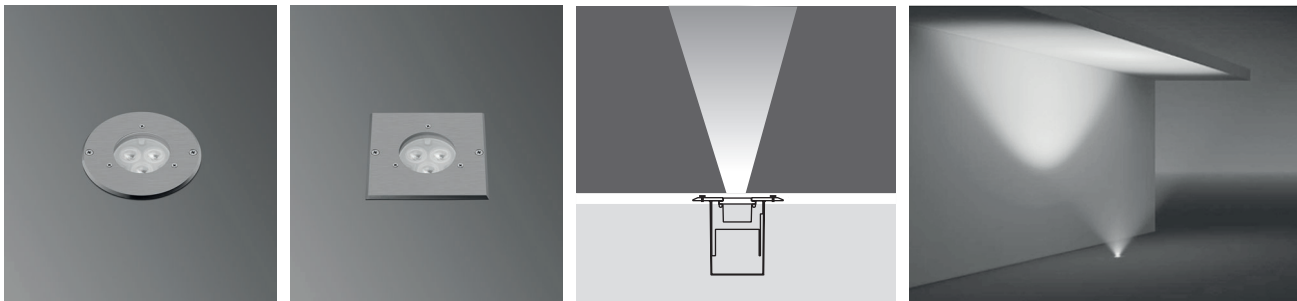
	3 x 350 mA (3 W) LED 3 x 700 mA (9 W) LED	Total Lighting Output		3W Round	3W Square	9W Round	9W Square
		3W	9W				
☀ Warm White	3000 K	255 lm	675 lm	422101	422111	418331	418341
☀ Natural White	4500 K	255 lm	675 lm	422106	422116	418332	418342
☀ Cool White	6000 K	306 lm	810 lm	422107	422117	418333	418343
🌈 RGB						418371	418381

Single color LED options upon request are ;  
● Blue ● Amber ● Green ● Red

- Voltage** : 240V A.C with integrated driver (24V AC or DC on request)  
**Lens** : 10°, 25°, 40°  
**Diffuser** : Clear Glass 8 mm (Frosted Glass on request)  
**Cable** : Potted 5 m 3x0,75 H03 VV-F



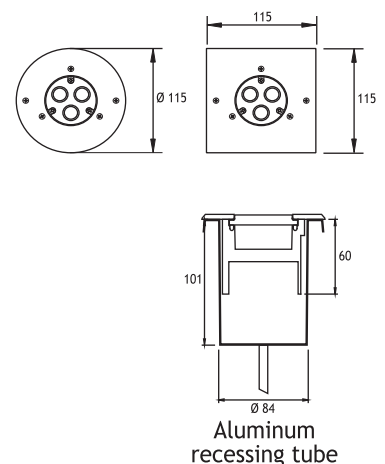
### Symmetrical BELKIS 2 Fix to Recessing Tube with Screws



	3 x 350 mA (3 W) LED 3 x 700 mA (9 W) LED	Total Lighting Output		3W Round	3W Square	9W Round	9W Square
		3W	9W				
☀ Warm White	3000 K	255 lm	675 lm	425161	425261	418351	418361
☀ Natural White	4500 K	255 lm	675 lm	425166	425266	418352	418362
☀ Cool White	6000 K	306 lm	810 lm	425167	425267	418353	418363
🌈 RGB						425411	425421

Single color LED options upon request are ;  
● Blue ● Amber ● Green ● Red

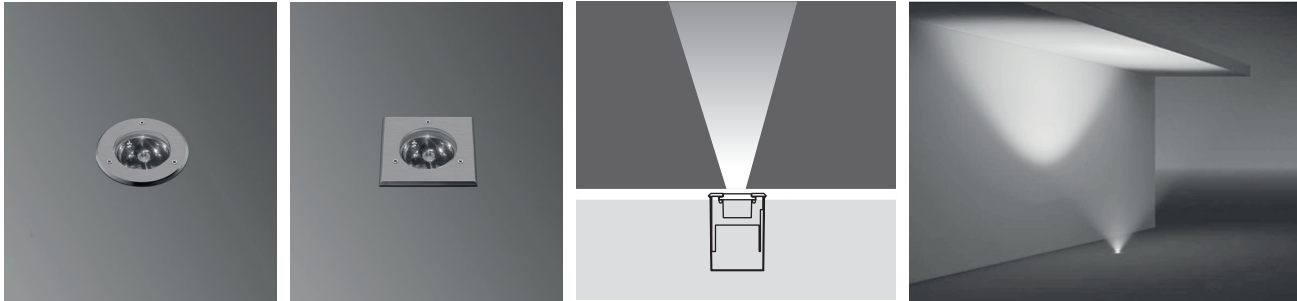
- Voltage** : 240V A.C with integrated driver (24V AC or DC on request)  
**Lens** : 10°, 25°, 40°  
**Diffuser** : Clear Glass 8 mm (Frosted Glass on request)  
**Cable** : Potted 5 m 3x0,75 H03 VV-F



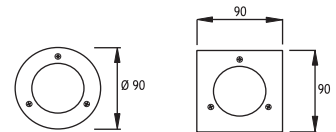
# BELKIS 2 RECESSED LED WITH TIR LENS FIXTURES

## Class I IP67 IK10

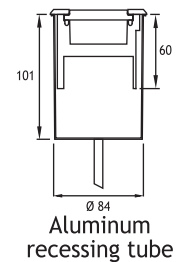
### Symmetrical BELKIS 2 Fix to Recessing Tube with Silicone



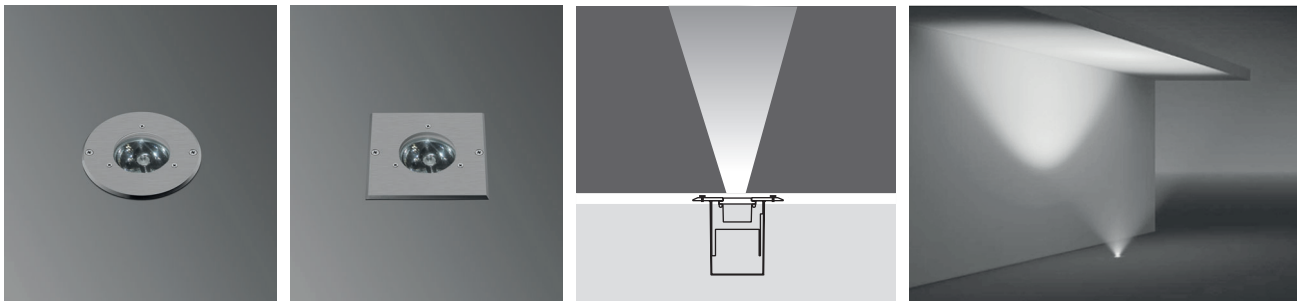
	1 x 350 mA (3 W) COB LED	1 x 350 mA (11 W) COB LED	Total Lighting Output		3W Round	3W Square	11W Round	11W Square
			3W	11W				
☀ Warm White	3000 K		198 lm	655 lm	119001	119011	119021	119031
☀ Natural White	4000 K		237 lm	786 lm	119002	119012	119022	119032



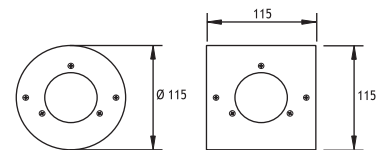
- Voltage** : 240V A.C with integrated driver  
(24V AC or DC on request)
- Lens** : 10°, 20°, 30° Mirror TIR Lens
- Diffuser** : Clear Glass 8 mm (Frosted Glass on request)
- Cable** : Potted 5 m 3x0,75 H03 VV-F



### Symmetrical BELKIS 2 Fix to Recessing Tube with Screws



	1 x 350 mA (3 W) COB LED	1 x 350 mA (11 W) COB LED	Total Lighting Output		3W Round	3W Square	11W Round	11W Square
			3W	11W				
☀ Warm White	3000 K		198 lm	655 lm	119101	119111	119121	119131
☀ Natural White	4000 K		237 lm	786 lm	119102	119112	119122	119132



- Voltage** : 240V A.C with integrated driver  
(24V AC or DC on request)
- Lens** : 10°, 20°, 30° Mirror TIR Lens
- Diffuser** : Clear Glass 8 mm (Frosted Glass on request)
- Cable** : Potted 5 m 3x0,75 H03 VV-F

