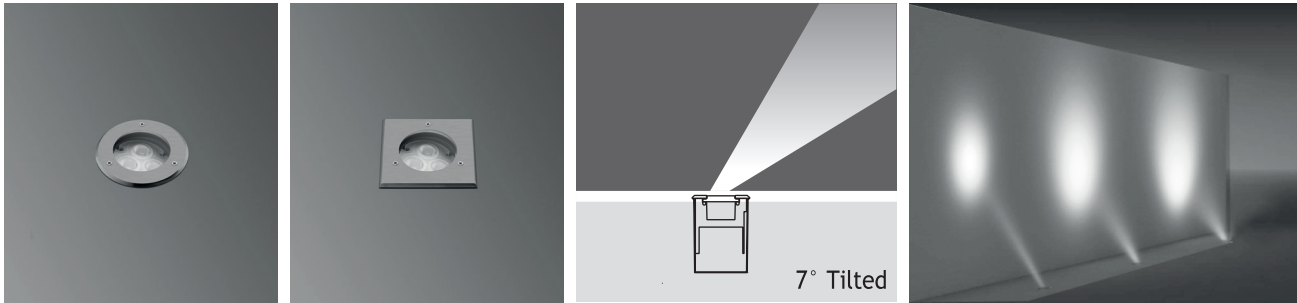


BELKIS 2 RECESSED LED FIXTURES

Class I IP67 IK10

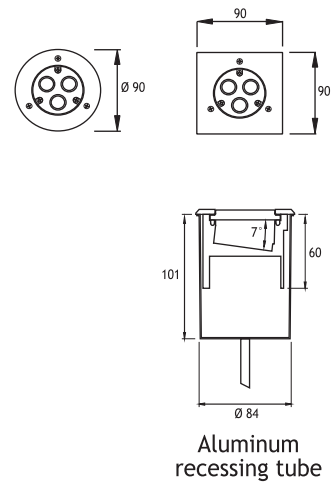
Asymmetrical 7° Tilted BELKIS 2 Fix to Recessing Tube with Silicone



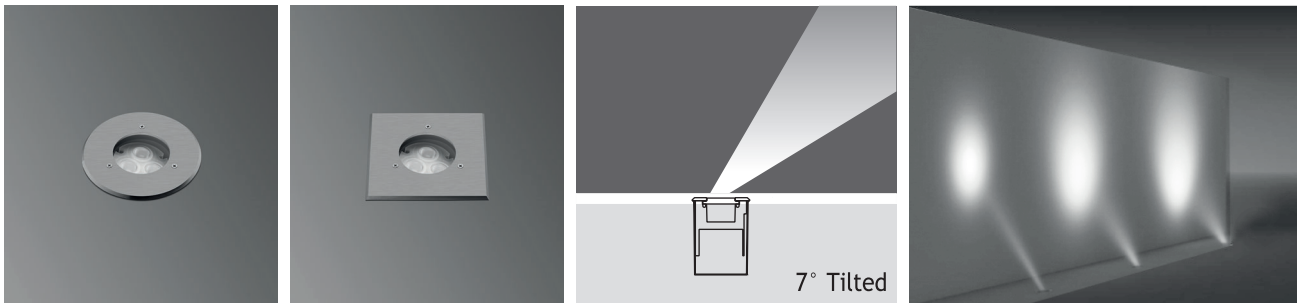
	3 x 350 mA (3 W) LED 3 x 700 mA (9 W) LED	Total Lighting Output	3W				9W	
			3W	9W	3W Round	3W Square	9W Round	9W Square
☀ Warm White	3000 K	255 lm	675 lm	418391	418401	418431	418441	
☁ Natural White	4500 K	255 lm	675 lm	418392	418402	418432	418442	
☀ Cool White	6000 K	306 lm	810 lm	418393	418403	418433	418443	
🌈 RGB						418471	418481	

Single color LED options upon request are ;
● Blue ● Amber ● Green ● Red

- Voltage** : 240V A.C with integrated driver (24V AC or DC on request)
- Lens** : 10°, 25°, 40°
- Diffuser** : Clear Glass 8 mm (Frosted Glass on request)
- Cable** : Potted 5 m 3x0,75 H03 VV-F



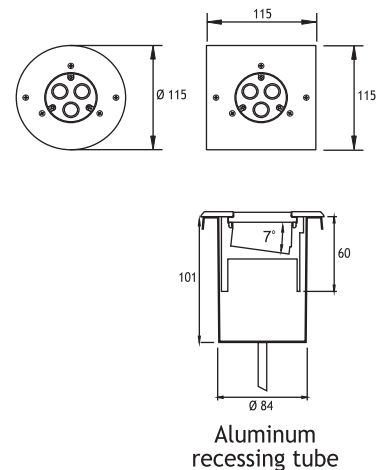
Asymmetrical 7° Tilted BELKIS 2 Fix to Recessing Tube with Screws



	3 x 350 mA (3 W) LED 3 x 700 mA (9 W) LED	Total Lighting Output	3W		9W		
			3W Round	3W Square	9W Round	9W Square	
☀ Warm White	3000 K	255 lm	675 lm	418411	418421	418451	418461
☁ Natural White	4500 K	255 lm	675 lm	418412	418422	418452	418462
☀ Cool White	6000 K	306 lm	810 lm	418413	418423	418453	418463
🌈 RGB						418491	418501

Single color LED options upon request are ;
● Blue ● Amber ● Green ● Red

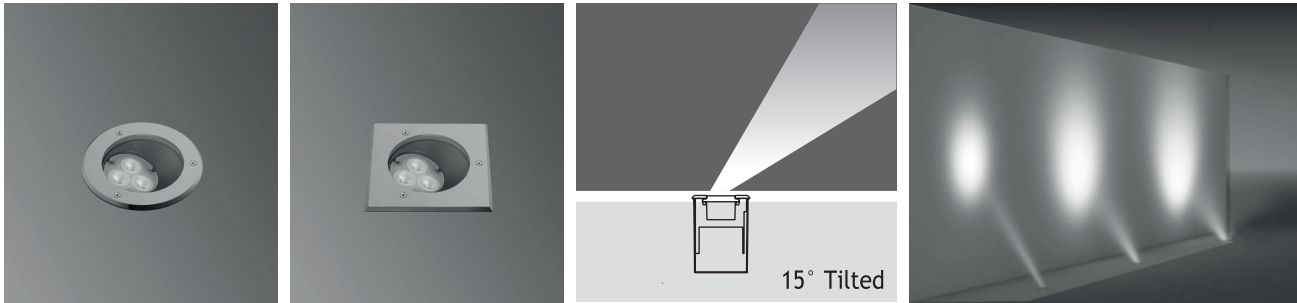
- Voltage** : 240V A.C with integrated driver (24V AC or DC on request)
- Lens** : 10°, 25°, 40°
- Diffuser** : Clear Glass 8 mm (Frosted Glass on request)
- Cable** : Potted 5 m 3x0,75 H03 VV-F



BELKIS 2 RECESSED LED FIXTURES

Class I IP67 IK10

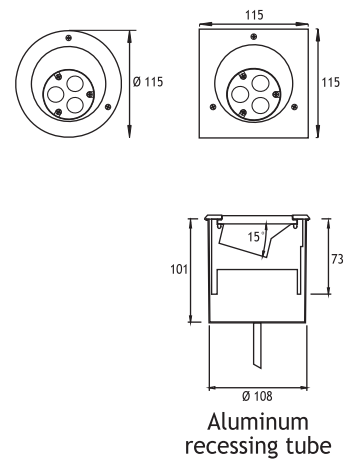
Asymmetrical 15° Tilted BELKIS 2 Fix to Recessing Tube with Silicone



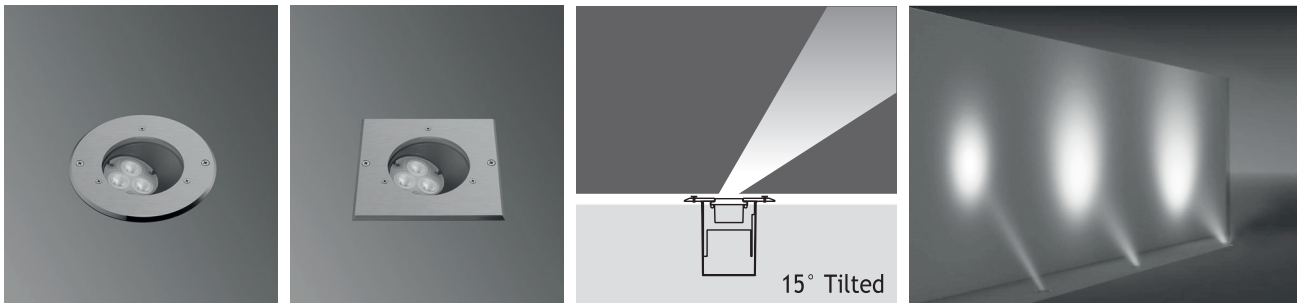
	3 x 350 mA (3 W) LED 3 x 700 mA (9 W) LED	Total Lighting Output	3W		9W		
			3W	9W	3W Round	3W Square	9W Round
☀ Warm White	3000 K	255 lm	675 lm	418511	418521	418551	418561
☁ Natural White	4500 K	255 lm	675 lm	418512	418522	418552	418562
☀ Cool White	6000 K	306 lm	810 lm	418513	418523	418553	418563
🌈 RGB						418591	418601

Single color LED options upon request are ;
■ Blue ■ Amber ■ Green ■ Red

- Voltage** : 240V A.C with integrated driver (24V AC or DC on request)
- Lens** : 10°, 25°, 40°
- Diffuser** : Clear Glass 8 mm (Frosted Glass on request)
- Cable** : Potted 5 m 3x0,75 H03 VV-F



Asymmetrical 15° Tilted BELKIS 2 Fix to Recessing Tube with Screws



	3 x 350 mA (3 W) LED 3 x 700 mA (9 W) LED	Total Lighting Output	3W		9W		
			3W	9W	3W Round	3W Square	9W Round
☀ Warm White	3000 K	255 lm	675 lm	418531	418541	418571	418581
☁ Natural White	4500 K	255 lm	675 lm	418532	418542	418572	418582
☀ Cool White	6000 K	306 lm	810 lm	418533	418543	418573	418583
🌈 RGB						418611	418621

Single color LED options upon request are ;
■ Blue ■ Amber ■ Green ■ Red

- Voltage** : 240V A.C with integrated driver (24V AC or DC on request)
- Lens** : 10°, 25°, 40°
- Diffuser** : Clear Glass 8 mm (Frosted Glass on request)
- Cable** : Potted 5 m 3x0,75 H03 VV-F

