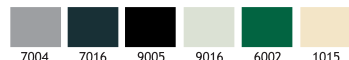


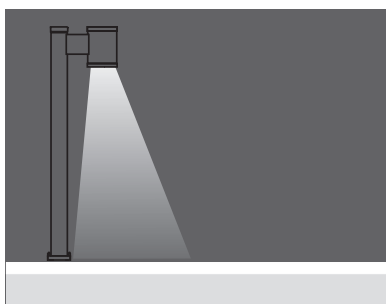
BELKIS 5 ONE-WAY APPLIQUE ON POLE

Class I IP55

Available in any of these RAL colors



- Cover**
- Die cast aluminium
- Paint**
- Electrostatic powder
- Pipe**
- Extrusion aluminium
- Connection**
- IP connection box
- Gaskets**
- Silicone
- Diffusers**
- Tempered Glass



- Lampholder** : E27
- Reflector** : 40
- Diffuser** : Clear Glass

Code No
295101

ELECTRONIC FLUO. 23W

- Lampholder** : G24 d - 2
- Reflector** : 40
- Diffuser** : Clear Glass

Code No
295111

ELECTRONIC FLUO. 18W

