

BÉTON

LED BOLLARDS

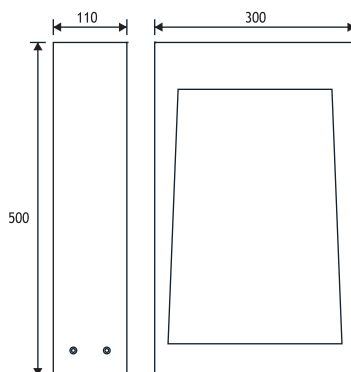
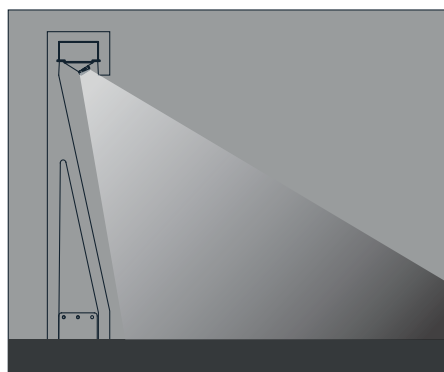
Class I IP67 IK10

Exposed concrete is the preferred material of architects for cutting edge designs. Our BÉTON bollard is made of heavy duty concrete with an incredibly smooth finish. The BÉTON can blend into the architecture of a building and mature together with its surroundings. The simple form of the BÉTON is emphasized with the light that comes out from the solid structure..



LEDs

Only highest quality LEDs such as Cree or Toplite are used in production allowing for maximum lumen output and maximum lifetime. Most LEDs run on 350mA or 700mA depending on how much light output is required. The white color temperature binning is 200K at most, and always on the same x,y coordinates on the CIE diagram in accordance with Energy Star. This ensures consistent supply of the same color temperature over time. As LEDs are constantly developing and becoming more efficient, lumen output given in this catalogue are current as of March 2020. At 2700K, 3000K, and 4000K LED lumen output per led is 110lm; at 6000K the lumen output per led is 125lm. Total Lighting Output as printed in this catalogue is the actual light output of the entire fixture. The minimum CRI of the LEDs used is 85 with a majority of products over 90.



Asymmetrical

- Led** : Linear LEDs
- Voltage** : 240 VAC with integrated driver
(12-24 VDC on request)
- Diffuser** : 4mm Tempered Glass
- Beam Angle** : 45° / 60° / 90°
- Mac Adam** : 3
- CRI** : >80
- L.O.R %** : %70

Anchor



| | | Total Lighting Output | Code No |
|----------------------|--------|-----------------------|---------|
| 3 x 350 mA (6 W) LED | | | |
| ☀ Warm White | 3000 K | 510 lm | 190001 |