

# ASSOS 6 RECESSED DRIVE OVER FIXTURES

Load 15 kN | Class I IP67 IK10

EMFA's Assos 6 series is specially designed to light facades, columns, monuments and trees. The fixture can be equipped with metal halide, halogen or fluorescent lamps. The fixture is made of a combination of 316L stainless steel and die cast aluminium, which allows for IP67 and IK10 and a load of 15kN. The fixture comes with a polyamide recessing tube for easy mounting in the ground or concrete. A louvre can be ordered separately to reduce the glare of the lamps. An anti-slip glass is available upon request.

**Cover**

316L Stainless steel

**Body**

Die cast aluminium or aluminium profile with die cast aluminium bottom and connection box.

**Gaskets**

Silicone

**Diffusers**

15 mm Tempered Glass (Aluminium Cover)

**Screws**

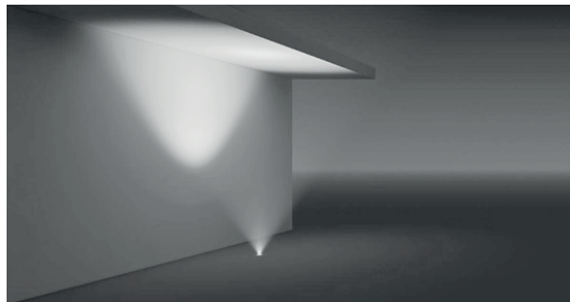
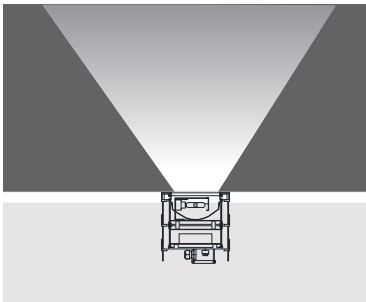
316L Stainless steel

**Glands**

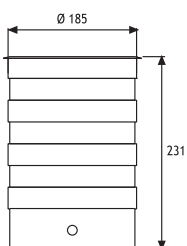
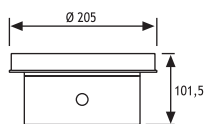
2 x PG 13.5

**Recessing Tube**

Polyamide 6



- Lampholder** : R7s fixed
- Reflector** : 50°C
- Diffuser** : Frosted Glass
- Temp** : 100°C



HALOGEN LINEAR 60W	Code No
Inox (Stainless Steel)	212101

**Accessories:**



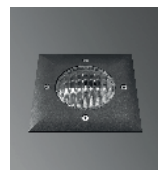
**Louvre**

To avoid glare.  
Can be applied to all lamp types except Halogen PAR 30 and 38

Code No 955105

**Caution:**

The louvre and filter cannot be applied to the standard fixture. These options should be mentioned when ordering.



**Square Version:**

All fixtures are available with a square cover with dimensions 220 x 220 mm. Please indicate square version when ordering.