

ASSOS 6 RECESSED DRIVE OVER FIXTURES

Load 15 kN | Class I IP67 IK10

EMFA's Assos 6 series is specially designed to light facades, columns, monuments and trees. The fixture can be equipped with metal halide, halogen or fluorescent lamps. The fixture is made of a combination of 316L stainless steel and die cast aluminium, which allows for IP67 and IK10 and a load of 15kN. The fixture comes with a polyamide recessing tube for easy mounting in the ground or concrete. A louvre can be ordered separately to reduce the glare of the lamps. An anti-slip glass is available upon request.

Cover

316L Stainless steel

Body

Die cast aluminium or aluminium profile with die cast aluminium bottom and connection box.

Gaskets

Silicone

Diffusers

15 mm Tempered Glass (Aluminium Cover)

Screws

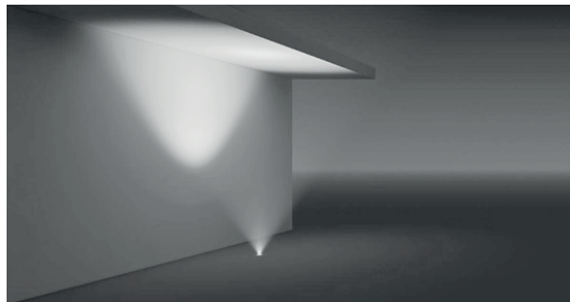
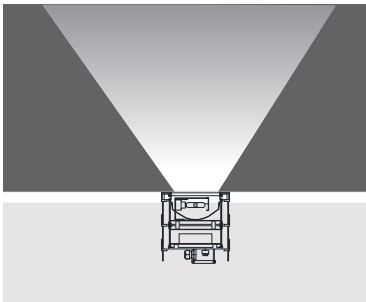
316L Stainless steel


Glands

2 x PG 13.5

Recessing Tube

Polyamide 6



- Lampholder : E27 fixed
- Reflector : 80°C
- Diffuser : Frosted Glass
- Temp : 43°C 

Accessories:



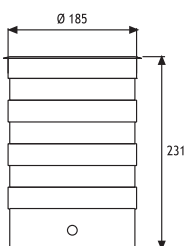
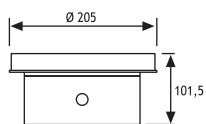
Louvre

To avoid glare.
Can be applied to all lamp types except Halogen PAR 30 and 38

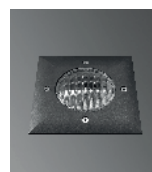
Code No 955105

Caution:

The louvre and filter cannot be applied to the standard fixture. These options should be mentioned when ordering.



ELECTRONIC FLUO. 23W Code No
Inox (Stainless Steel) 212111



Square Version:

All fixtures are available with a square cover with dimensions 220 x 220 mm. Please indicate square version when ordering.