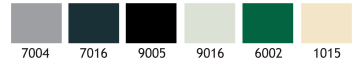


ASSOS 4 RECESSED DRIVE OVER FIXTURES

Load 15 kN | Class I IP67 IK10

Available in any of these RAL colors



EMFA's Assos 4 series is specially designed to light facades, columns, monuments and trees. The fixture can be equipped with metal halide, halogen or fluorescent lamps. The fixture has 3 different options of cover: 316 stainless steel, die cast aluminium or bronze in combination with the die cast aluminium body which allows for IP67 and IK10 and a load of 15kN. The fixture comes with a polyamide recessing tube for easy mounting in the ground or concrete. A louvre can be ordered separately to reduce the glare of the lamps. An anti-slip glass is available upon request.

Cover

Die cast aluminium / 316L Stainless Steel

Body

Die cast aluminium or aluminium profile with die cast aluminium bottom and connection box.

Gaskets

Silicone

Diffusers

15 mm Tempered Glass

Screws

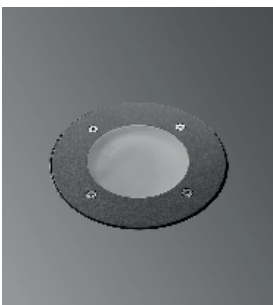
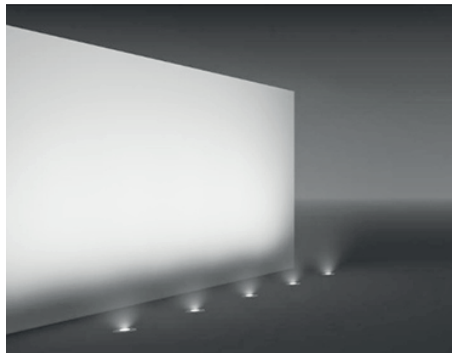
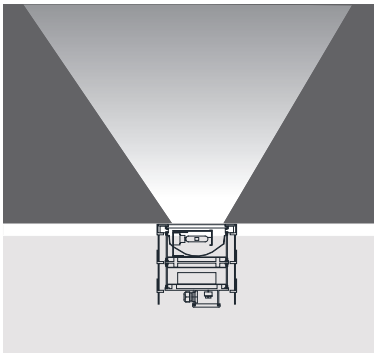
316L Stainless steel

Glands

2 x PG 13.5

Recessing Tube

Polyamide 6



Lampholder : E27 Fixed

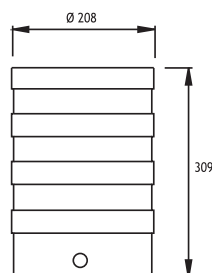
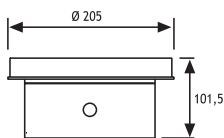
Reflector : 80°C

Diffuser : Frosted Glass

Temp : 43°C

ELECTRONIC FLUO. 23W Code No

Inox (Stainless Steel) 207111



Accessories:



Louvre

To avoid glare.

Can be applied to all lamp types except Halogen PAR 30 and 38

Code No 955105

Caution:

The louvre and filter cannot be applied to the standard fixture. These options should be mentioned when ordering.



Anti-slip Glass

Please contact for this option.